



# Verticutter Mower TVM-3077 and TVM-5130



## Parts Manual

**Locke Turf**

307 Highway 52E, Opp, Alabama 36467, (334) 493-1300

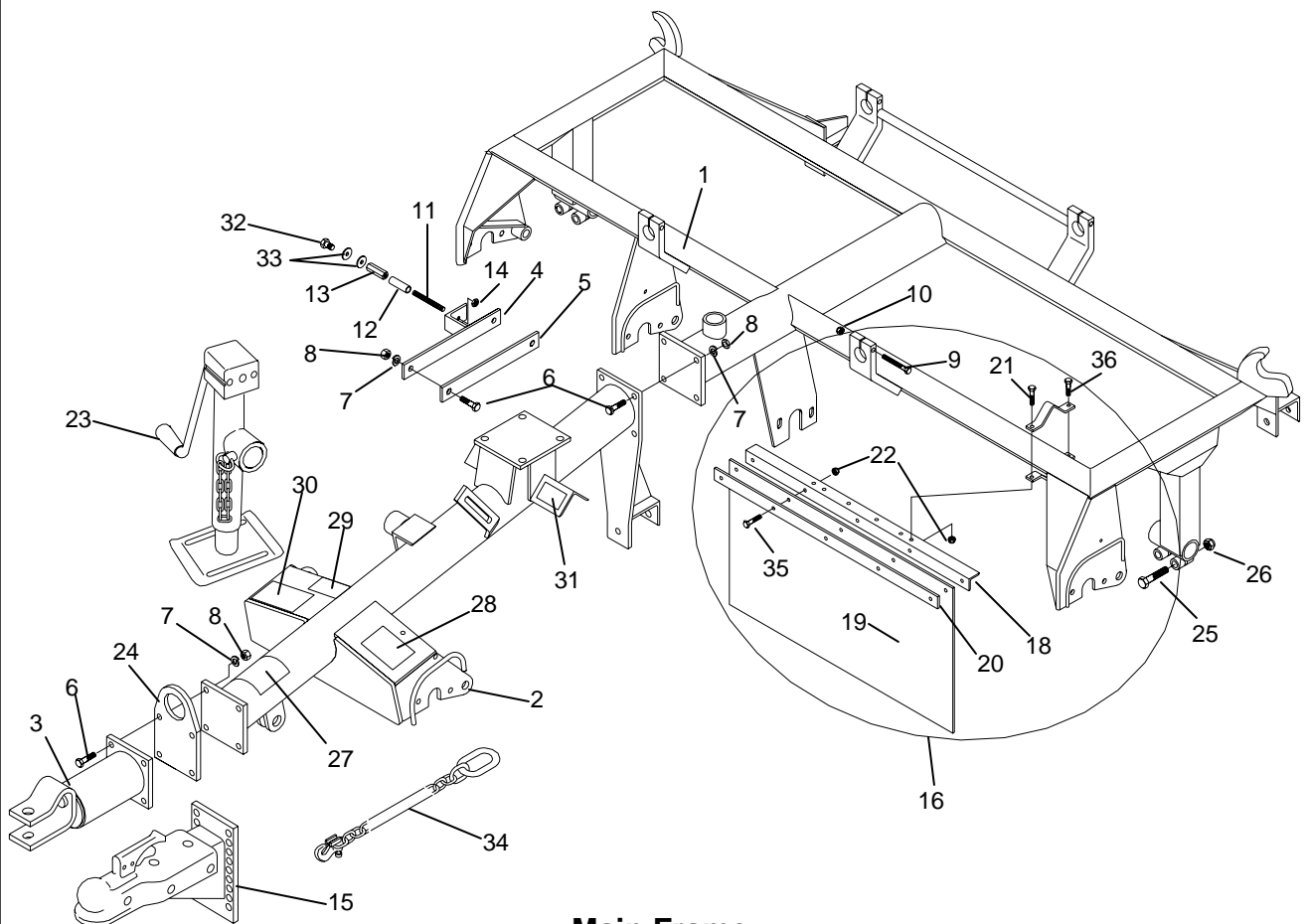
# TVM 3077 & TVM 5130 VERTI - CUTTER

## INDEX

<b>SECTION DESCRIPTION</b>	<b>SECTION</b>
Mainframe and Related Parts	1
Guards	2
Drives, Gearboxes, Belts, Driveshafts	3
Wheels, Axles, Hubs	4
Hydraulics	5
Mowing Units	6
Decals	7

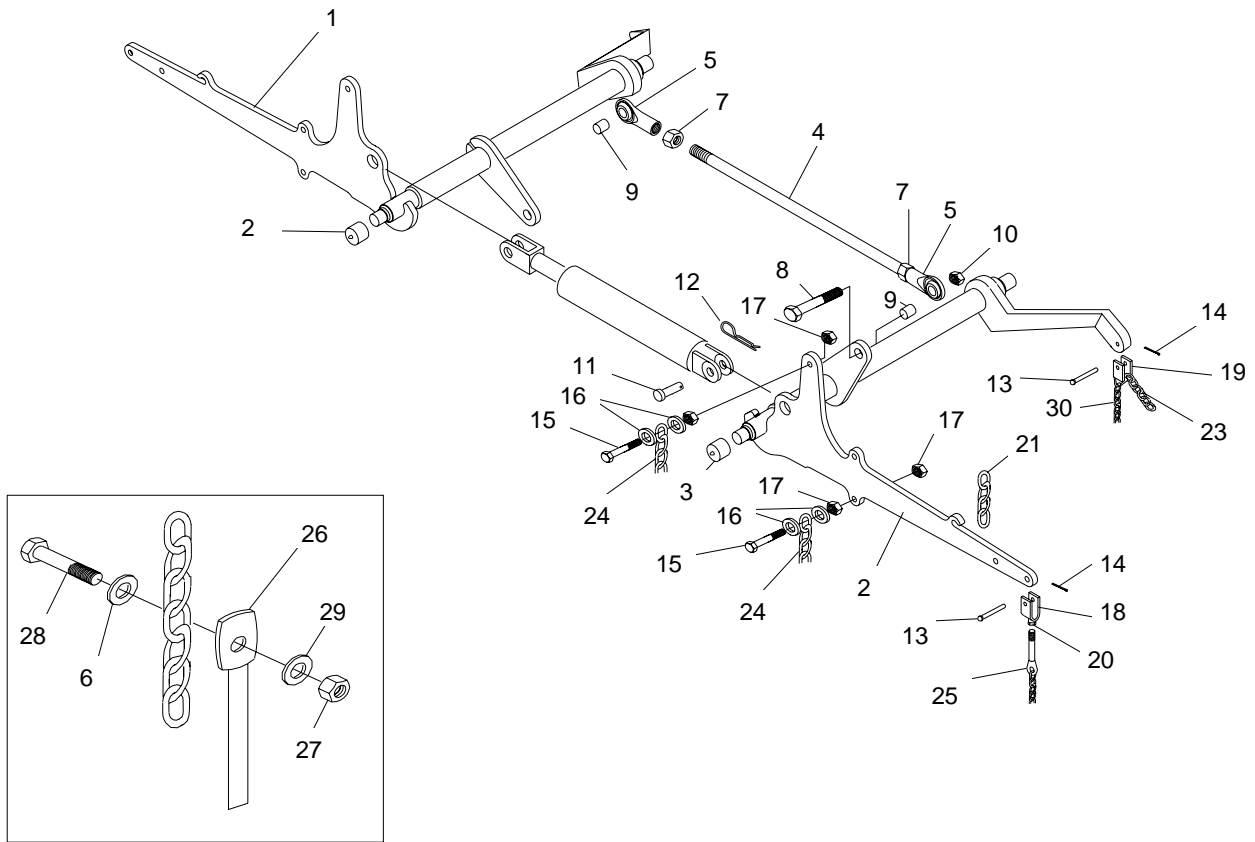
<b>PART DESCRIPTION</b>	<b>PAGE</b>
Belt Idler	3-9
Compensator, Single	1-5
Dual	1-6
Cutter Head, TVM 3077	6-2, 6-3
Cutter Head, TVM 5130	6-4, 6-5
Adjusting Wheel	6-1
Decals	7-1, 7-2
Driveshaft, C.V.	3-5
Front Jackshaft	3-6
Rear Jackshaft, TVM 5130	3-7
Rear Jackshaft, TVM 3077	3-8
Gearbox and Sheaves, TVM 5130	3-1, 3-2
TVM 3077	3-3, 3-4
Guards, Primary	2-1
V-Belt, TVM 5130	2-2
V-Belt, TVM 3077	2-3
Hydraulic System, TVM 5130	5-1
TVM 3077	5-2
Lift Assembly TVM 5130	1-2
TVM 3077	1-4
Mainframe TVM 3077	1-1
TVM 5130	1-3
Wheel, Axle, Hub Assembly	4-1

(Note HHCS = Hex Head Cap Screw)



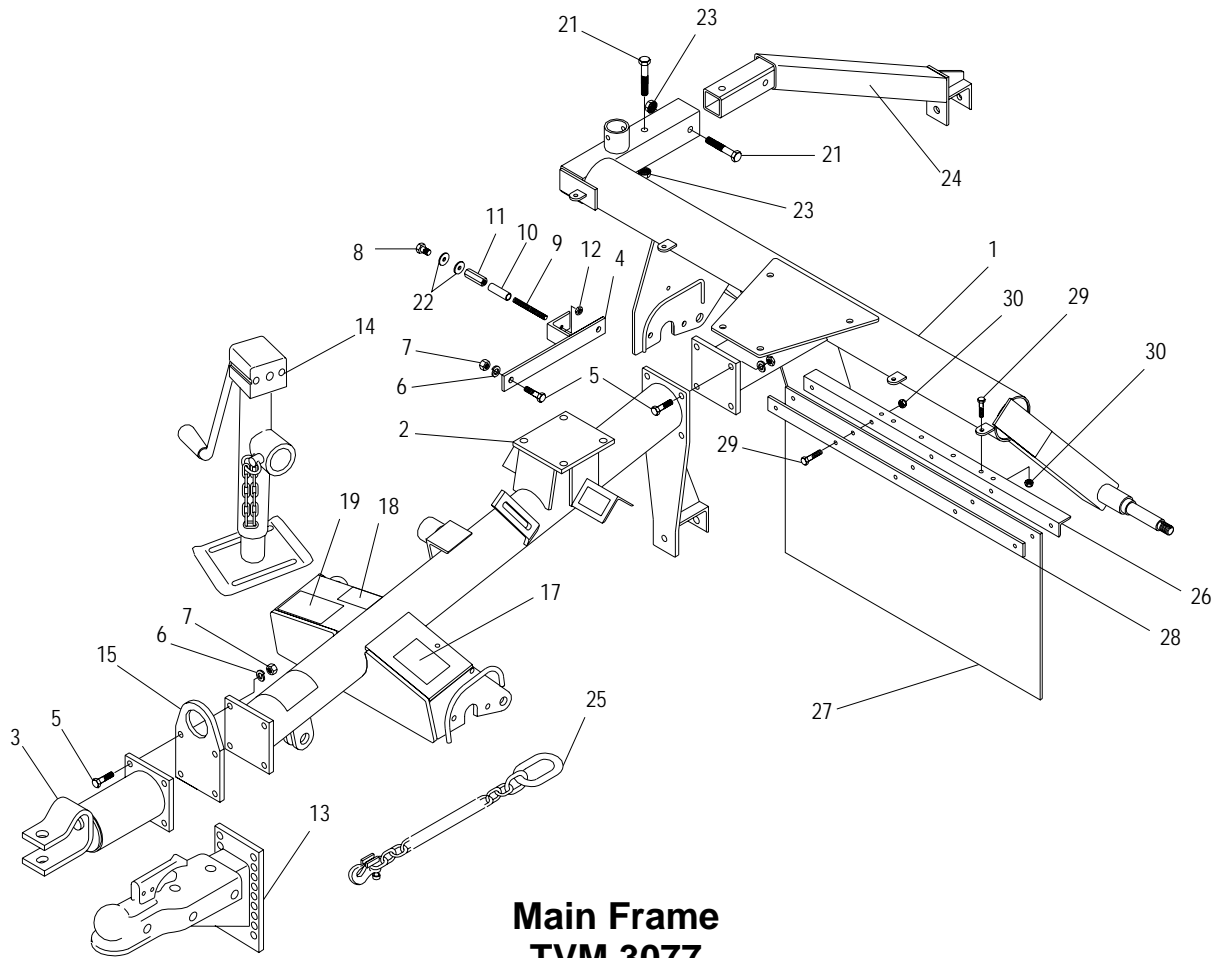
**Main Frame  
TVM 5130 Verti Cutter**

REF. NO.	PART NO.	QTY	DESCRIPTION	REF. NO.	PART NO.	QTY	DESCRIPTION
1	50022306	1	Mainframe	19	50022367	2	Deflector
2	50022176	1	Tongue W/Decals	20	50022366	2	Clamp Bar
3	50019541	1	Swivel	21	20011	4	HHCS 5/16"-18 x 1-1/2" Gr.5
4	50019888	1	Tongue Brace, RH	22	44553	18	Hex Nut-Nylock 5/16"-18
5	50019938	1	Tongue Brace, LH	23	50022109	1	Jackstand Assy.
6	15093	8	HHCS 1/2"-13 x 1-1/2" Gr.5	24	50019877	1	Hose Holder Assy.
7	15806	8	Lock washer 1/2"	25	19065	4	HHCS 1/2"-13 x 2-1/2" Gr.5
8	8151600	8	Hex Nut 1/2"	26	44539	4	Hex Nut-Nylock 1/2"-13
9	19055	4	HHCS 3/8"-16 x 3" Gr.5	27	50022073	1	Warning Decal
10	8151200	3	Hex Nut-Nylock 3/8"-16	28	50022081	1	Notice Decal
11	50019944	1	Stud, Belt Guard	29	50022067	1	Decal, Flag
12	50019942	1	Spacer, RH Shield	30	50022070	1	Warning Decal
13	44600	1	Nut, Coupling 3/8"-16 x 1-3/4"	31	50022066	2	Danger Decal
14	10151200	1	Hex Nut, Jam 3/8-16	32	44721	1	HHCS 3/8"-16 c 3/4"
15	50019542	1	Ball Hitch Assy.	33	15830	2	Flatwasher 3/8"
16	50022369	2	Deflector Assembly (17-22)	34	91091	1	Safety Tow Chain
17	50022236	4	Deflector Clamp				
18	50022235	2	Mounting Angle				



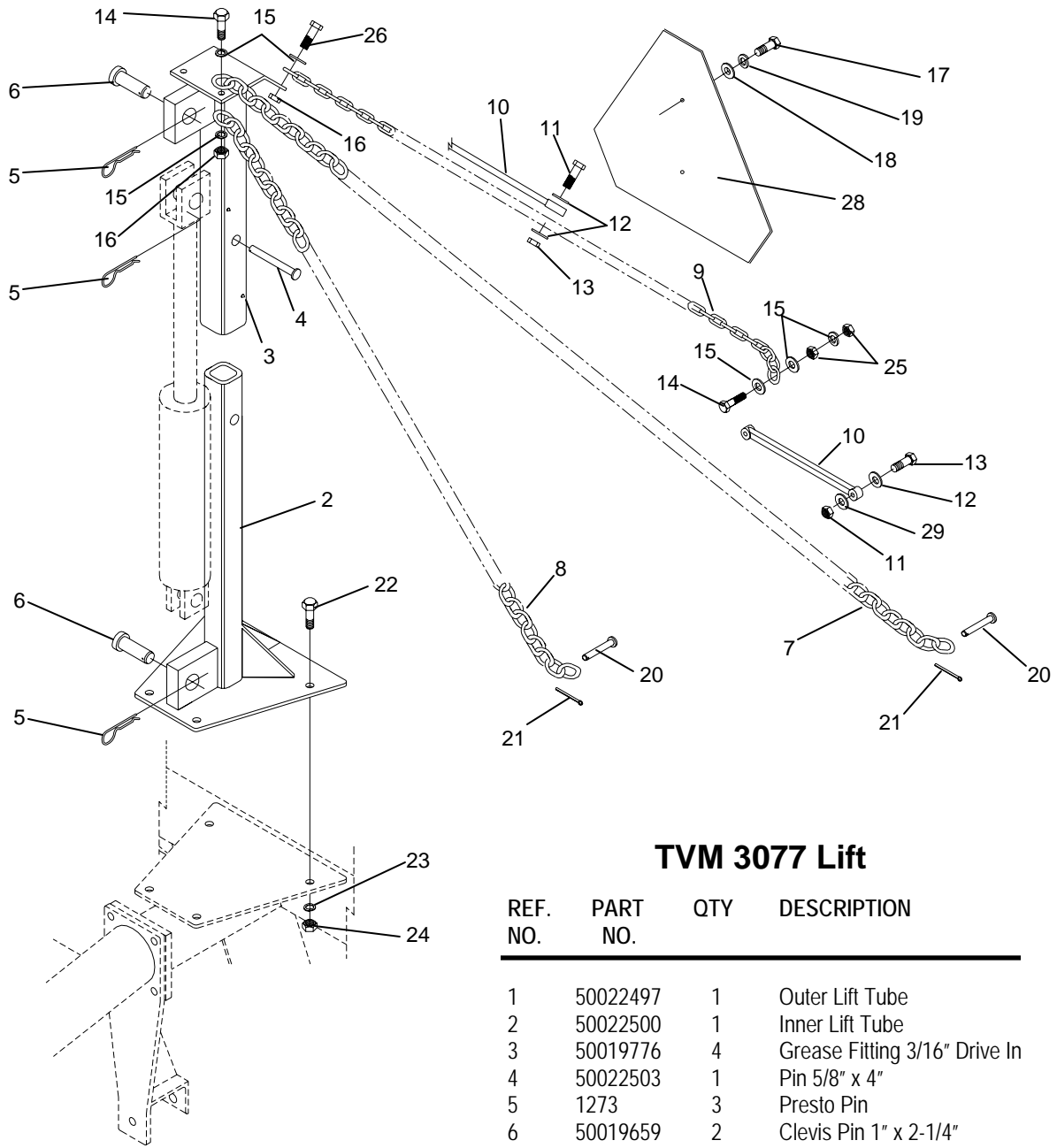
### TVM 5130 Equalizer and Lift Arm Assembly

REF. PART NO.	QTY	DESCRIPTION	REF. PART NO.	QTY	DESCRIPTION		
1	50022328	1	Lift Arm (5 Gang) LH	17	10151200	6	Jam Nut 3/8"-16
2	50022329	1	Lift Arm (5 Gang) RH	18	50019916	2	Clevis Yoke w/ Hole
3	50019948	4	Bearing Cup Assy.	19	50019915	2	Clevis Yoke.
4	50019873	1	Synchronizing Rod	20	8151200	2	Hex Nut 3/8"-16
5	50019872	2	Rod End RH 3/4"-16F 3/4" Bore	21	50019952	2	Transport Lock Chain
6	50019644	12	Fender Washer 1/4" x 1"	22	50019949	1	Lift Chain #1
7	44606	2	Jam Nut 3/4"-16	23	50019893	2	Lift Chain #2 & #3 Outer
8	19021	2	HHCS 3/4"-10 x 3" Gr.5	24	50019950	2	Lift Chain #4 & #5 Inner
9	50019914	2	Spacer	25	50019895	2	Lift Chain #4 & #5 Outer
10	19517	2	Hex Nut 3/4"-10	26	50022099	4	Polly Strap 9"
11	50019659	2	Clevis Pin 1" x 2-3/4"	50022100	2	Polly Strap 15"	
12	1273	2	Presto Pin 3/16"	27	44566	12	Nylock Hex Nut 1/4"-20
13	25H49039	4	Clevis Pin 3/8" x 1-1/2"	28	44579	12	HHCS 1/4"-20 x 1-1/2" Gr.5
14	21020510	4	Cotter Pin 5/32" x 1"	29	15918	12	Flatwasher 1/4"
15	44174	4	HHCS 3/8"-16 x 1-3/4"	30	50019939	2	Lift Chain #2 & #3 Inner
16	15830	8	Flatwasher 3/8"				



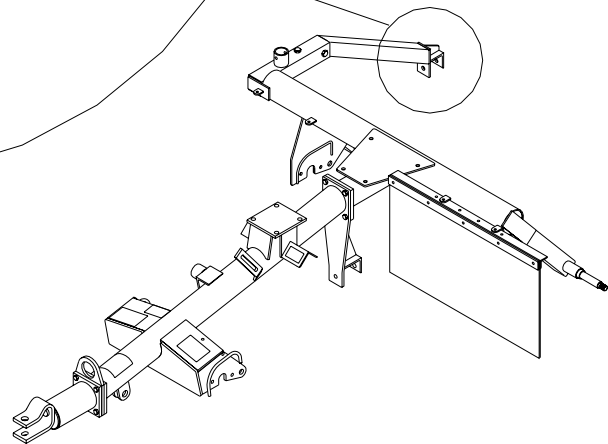
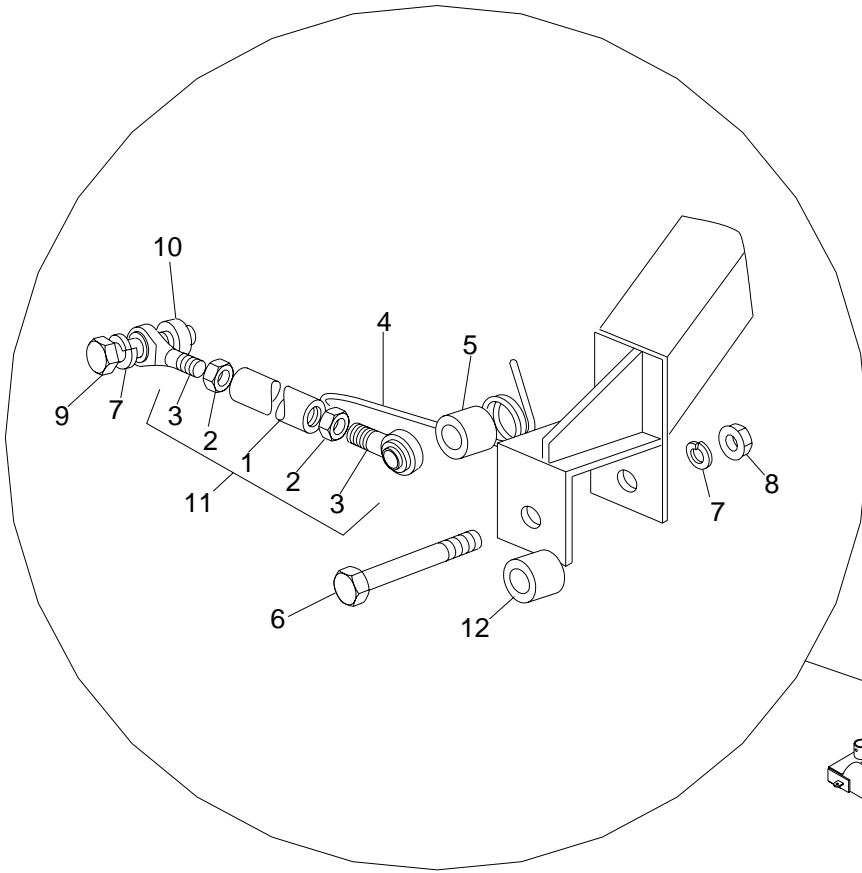
### Main Frame TVM 3077

REF. NO.	PART NO.	QTY	DESCRIPTION	REF. NO.	PART NO.	QTY	DESCRIPTION
1	50022352	1	Mainframe	16	50022073	1	Warning Decal
2	50022176	1	Tongue W/Decals	17	50022081	1	Notice Decal
3	50019541	1	Swivel	18	50022067	1	Decal, Flag
4	50019888	1	Tongue Brace, RH	19	50022070	1	Warning Decal
5	15093	10	HHCS 1/2"-13 x 1-1/2" Gr.5	20	50022066	2	Danger Decal
6	15806	10	Lock washer 1/2"	21	20864	1	HHCS 1/2"-13 x 3" Gr.5
7	8151600	10	Hex Nut 1/2"	22	15830	2	Flatwasher 3/8"
8	44721	1	HHCS 3/8"-16 x 3/4" Gr.5	23	44615	2	Whiz Nut 1/2"-13
9	50019944	1	Stud, Belt Guard	24	50022355	1	Compensator Arm
10	50019942	1	Spacer, RH Shield	25	91091	1	Safety Tow Chain
11	44600	1	Nut, Coupling 3/8"-16 x 1-3/4"	26	50022235	2	Mounting Angle
12	10151200	1	Hex Nut, Jam 3/8"-16	27	50022367	2	Deflector
13	50019542	1	Ball Hitch Assy.	28	50022366	2	Clamp Bar
14	50022109	1	Jackstand Assy.	29	15086	18	HHCS 5/16"-18 x 1-1/4" Gr.5
15	50019877	1	Hose Holder Assy.	30	44553	18	Hex Nut - Nylock 5/16"-18



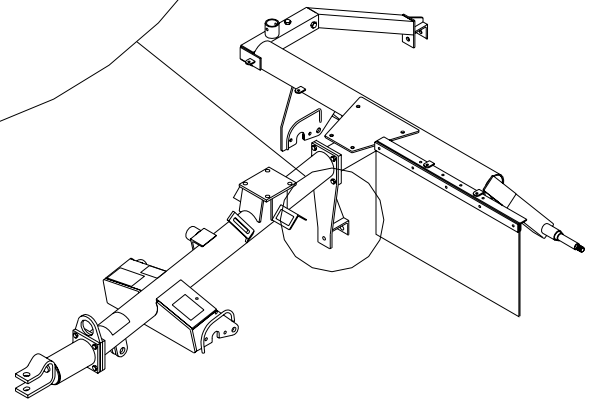
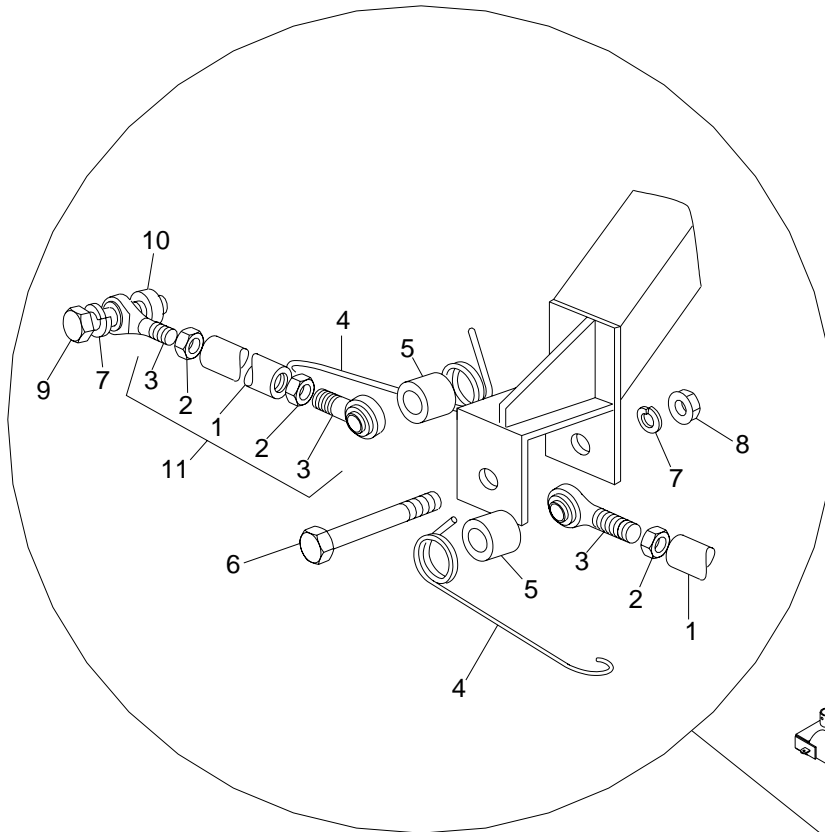
### TVM 3077 Lift

REF. NO.	PART NO.	QTY	DESCRIPTION
1	50022497	1	Outer Lift Tube
2	50022500	1	Inner Lift Tube
3	50019776	4	Grease Fitting 3/16" Drive In
4	50022503	1	Pin 5/8" x 4"
5	1273	3	Presto Pin
6	50019659	2	Clevis Pin 1" x 2-1/4"
7	50022337	2	Lift Chain - Outer Front
8	50022336	2	Lift Chain - Inner Front
9	50022335	2	Lift Chain - Rear
10	50022099	3	Strap, Rubber 8.25" Long
11	20016	6	HHCS 1/4" x 1-1/2"
12	15918	12	Flatwasher 1/4"
13	44539	6	Hex Nut 3/8" Nylock
14	44181	4	HHCS 3/8"
15	15830	10	Flatwasher 3/8"
16	44601	4	Hex Nut 3/8" -Nylock
17	1161006	2	HHCS 5/16" x 3/4" Gr.5
18	15907	2	Flatwasher 5/16"
19	15808	2	Lockwasher 5/16"
20	25H49039	4	Pin 3/8" x 1-3/4"
19	25H49039	4	Pin 3/8" x 1-3/4"
20	21020510	4	Cotter Pin 5/32" x 1"
21	15093	4	HHCS 1/2" x 1-1/2" Gr.5
22	15806	4	Lockwasher 1/2"
23	8151600	4	Hex Nut 1/2"
24	10151200	4	Jam Nut 3/8"
25	20035	2	HHCS 3/8" x 1/2"
26	15812	2	Lockwasher 3/8"
27	50019854	1	SMV Sign
28	50019644	8	Fender Washer 1/4" x 1"



**Single Compensator and Tie  
Rod Assemblies**  
**Reel Unit No. 4 (TVM-5130)**  
**Reel Unit No. 1 (TVM-3077)**

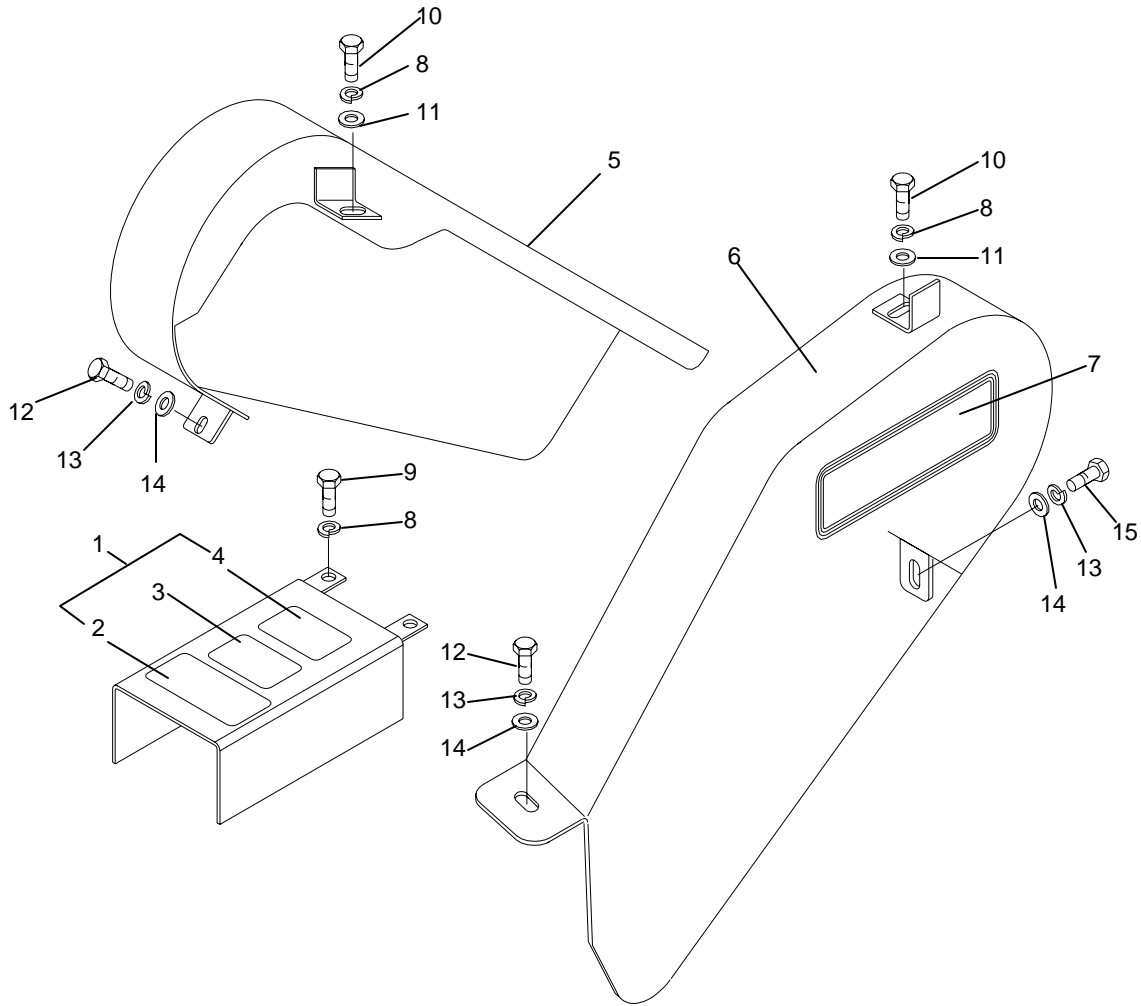
REF. NO.	PART NO.	QTY	DESCRIPTION
1	50019910	1	Tie Rod
2	44743	1	Hex Nut 5/8"-18 UNF RH Thd
	44710	1	Hex Nut 5/8"-18 UNF LH Thd
3	50019870	1	Rod End 5/8" Bore w/Rh Thread 5/8"-18
	50019868	1	Rod End 5/8" Bore w/LH Thread 5/8"-18
4	50022083	1	Compensator Spring 1/4"
5	50019940	1	Spacer 7/8" Thick
6	44168	1	HHCS 5/8"-11 x 3-3/4" Gr.5
7	19486	1	Lockwasher 5/8"
8	15563	1	Hex Nut 5/8"-11
9	20947	1	HHCS 5/8"-11 x 2" Gr.5
10	50019875	1	Tie Rod Spacer
11	50019911	1	Tie Rod Assy.
12	50019941	1	Spacer 5/8" Thick



**Dual Compensator and Tie Rod  
Assemblies**

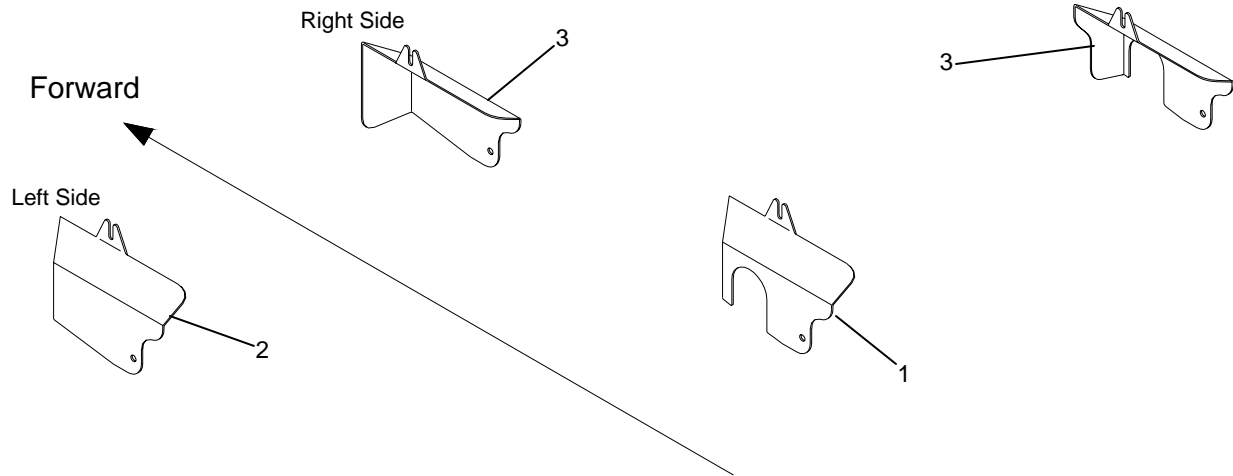
**Reel Unit No. 4 (TVM-5130)  
Reel Unit No. 1 (TVM-3077)**

REF. NO.	PART NO.	QTY	DESCRIPTION
1	50019910	1	Tie Rod
2	44743	1	Hex Nut 5/8"-18 UNF RH Thd
	44710	1	Hex Nut 5/8"-18 UNF LH Thd
3	50019870	1	Rod End 5/8" Bore w/Rh Thread 5/8"-18
	50019868	1	Rod End 5/8" Bore w/LH Thread 5/8"-18
4	50022083	1	Compensator Spring 1/4"
5	50019940	1	Spacer 7/8" Thick
6	44625	1	HHCS 5/8"-11 x 4-3/4" Gr.5
7	19486	1	Lockwasher 5/8"
8	15563	1	Hex Nut 5/8"-11
9	20947	1	HHCS 5/8"-11 x 2" Gr.5
10	50019875	1	Tie Rod Spacer
11	50019911	1	Tie Rod Assy.



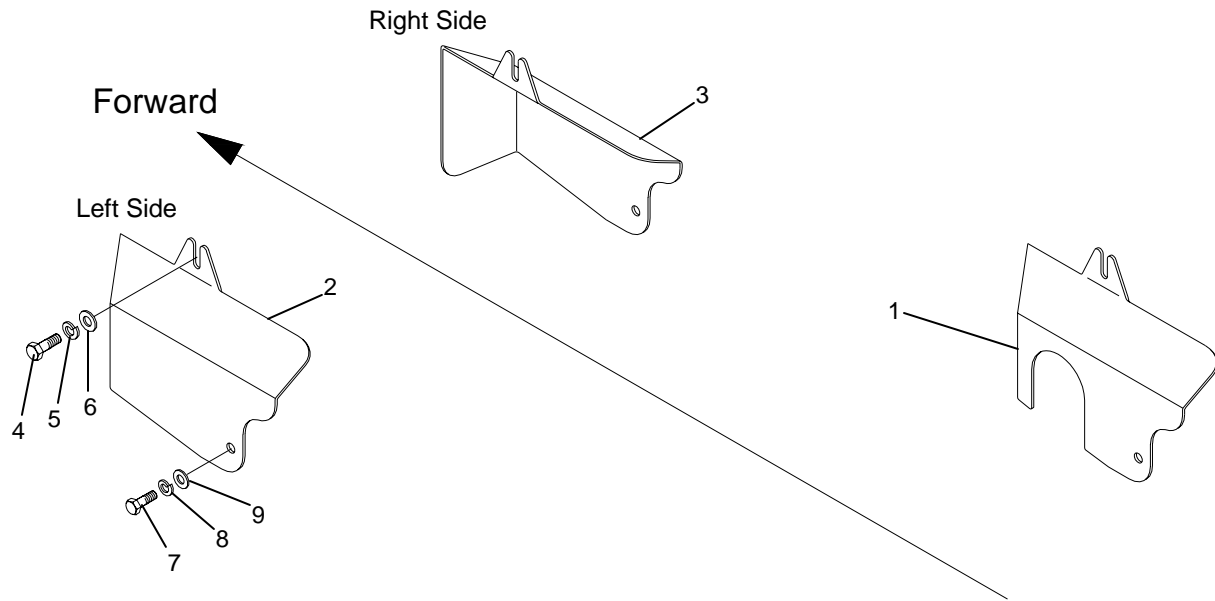
## Primary Guards

REF. NO.	PART NO.	QTY	DESCRIPTION
1	50022175	1	Guard w/Decals - Driveshaft
2	50022072	1	Danger Decal
3	50022074	1	Decal - Notice to Owner
4	50022065	1	Danger Decal (Spanish)
5	50019968	1	R.H. Drive Guard
6	50019971	1	L.H. Drive Guard
7	50100034	2	Model Decal TVM-5130
	50100033	2	Model Decal TVM-3077
8	15806	4	Lockwasher 1/2"
9	44588	2	HHCS 1/2"-13 x 3/4" Gr.5
10	20054	2	HHCS 1/2"-13 x 1" Gr.5
11	15829	2	Flatwasher 1/2"
12	20035	2	HHCS 3/8"-16 x 1/2"
13	15812	3	Lockwasher 3/8"
14	15830	3	Flatwasher 3/8"
15	1161006	1	HHCS 5/16"-18 x 3/4"



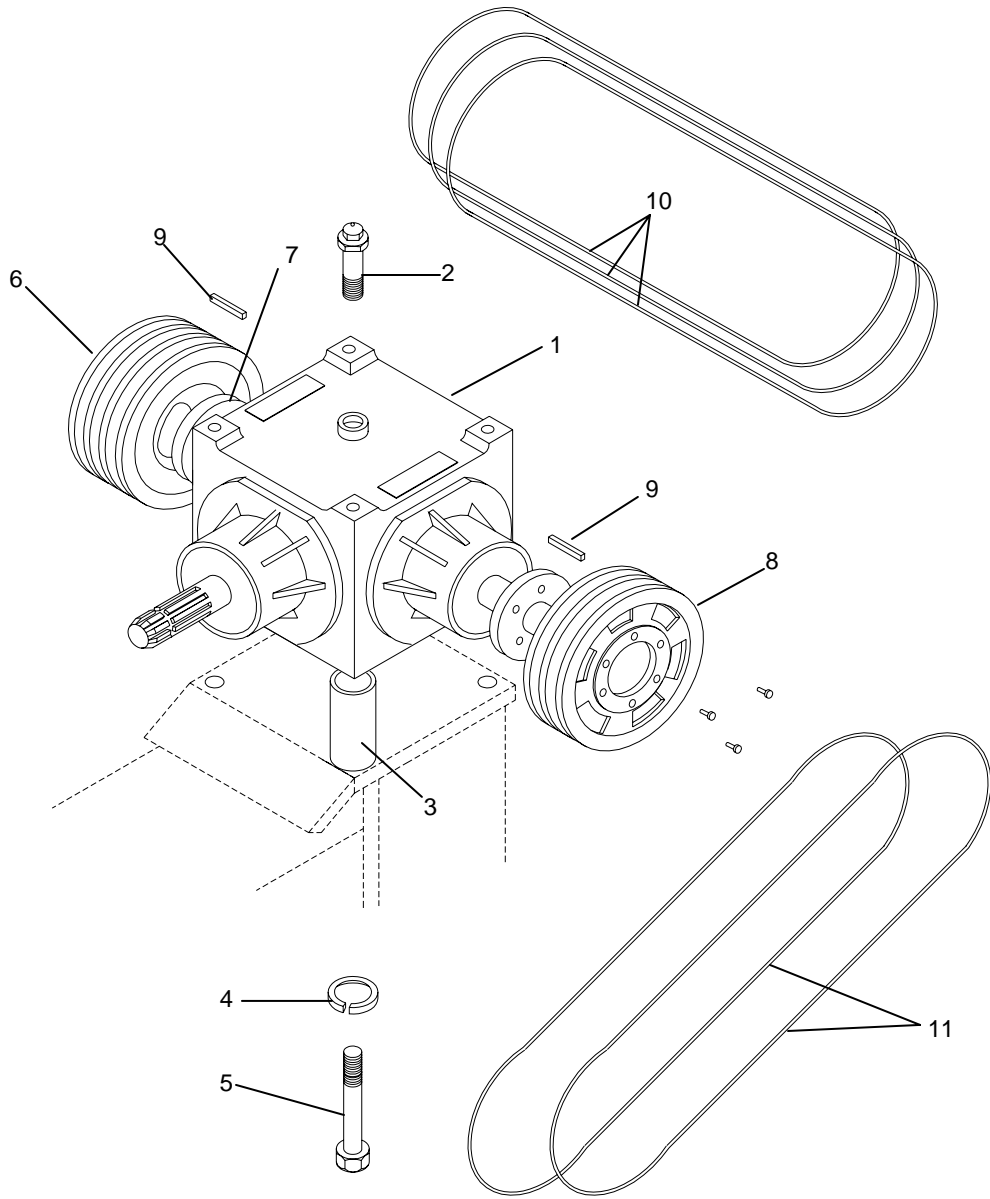
### V-Belt Guards TVM-5130

REF. NO.	PART NO.	QTY	DESCRIPTION
1	50019931	1	Guard, Center Rear #1
2	50019933	2	Guard, L.H. Outside #2 & #4
3	50019934	2	Guard, R.H. Outside #3 & #5
4	1161006	5	HHCS 5/16"-18 x 3/4"
5	15801	5	Lockwasher 5/16"
6	15907	5	Flatwasher 5/16"
7	20009	5	HHCS 1/4"-20 x 1/2"
8	15905	5	Lockwasher 1/4"
9	15918	5	Flatwasher 1/4"



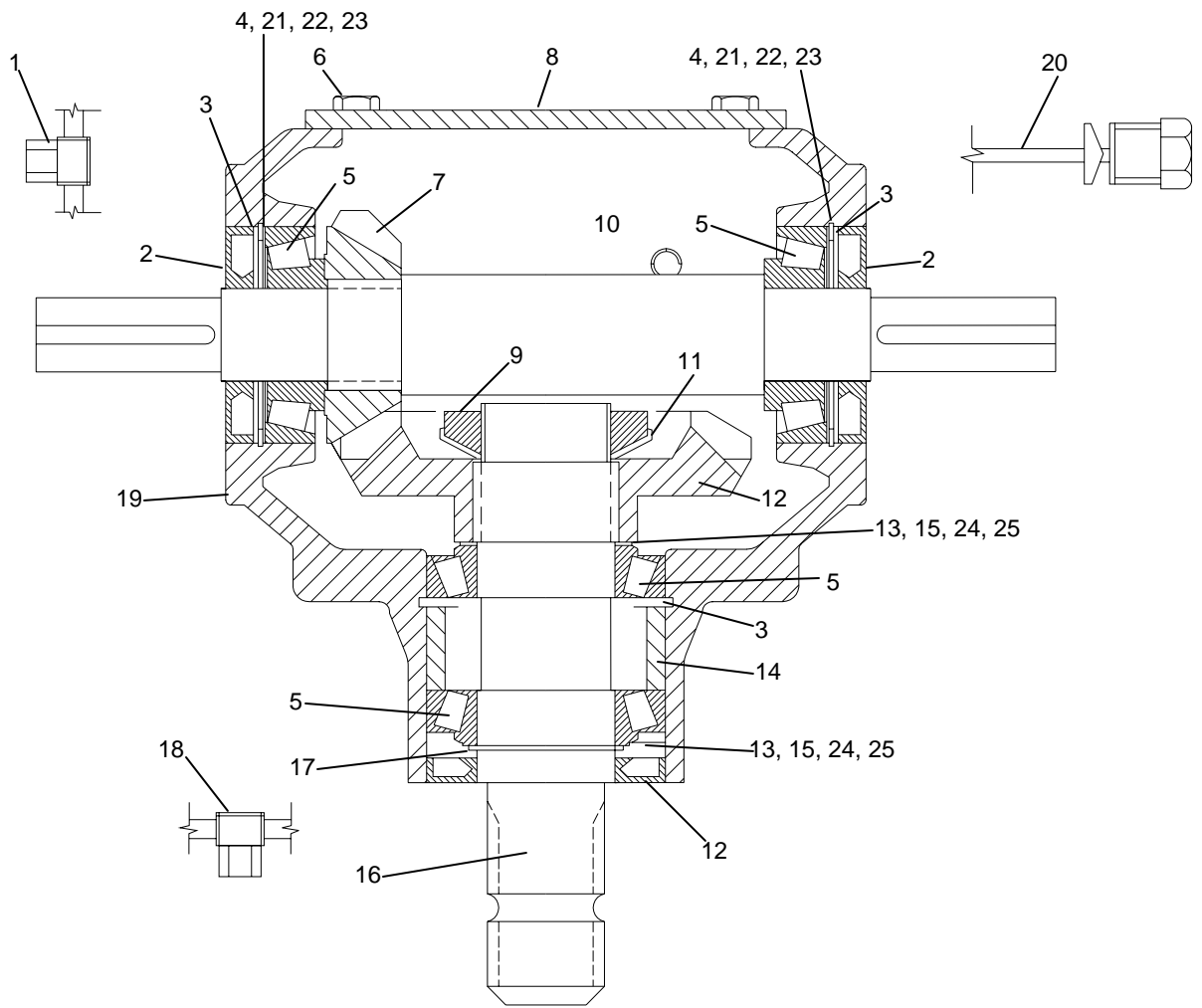
### V-Belt Guards TVM-3077

REF. NO.	PART NO.	QTY	DESCRIPTION
1	50019931	1	Guard, Center Rear #1
2	50019933	1	Guard, L.H. Outside #2 & #4
3	50019934	1	Guard, R.H. Outside #3 & #5
4	1161006	5	HHCS 5/16"-18 x 3/4"
5	15801	5	Lockwasher 5/16"
6	15907	5	Flatwasher 5/16"
7	20009	5	HHCS 1/4"-20 x 1/2"
8	15905	5	Lockwasher 1/4"
9	15918	5	Flatwasher 1/4"



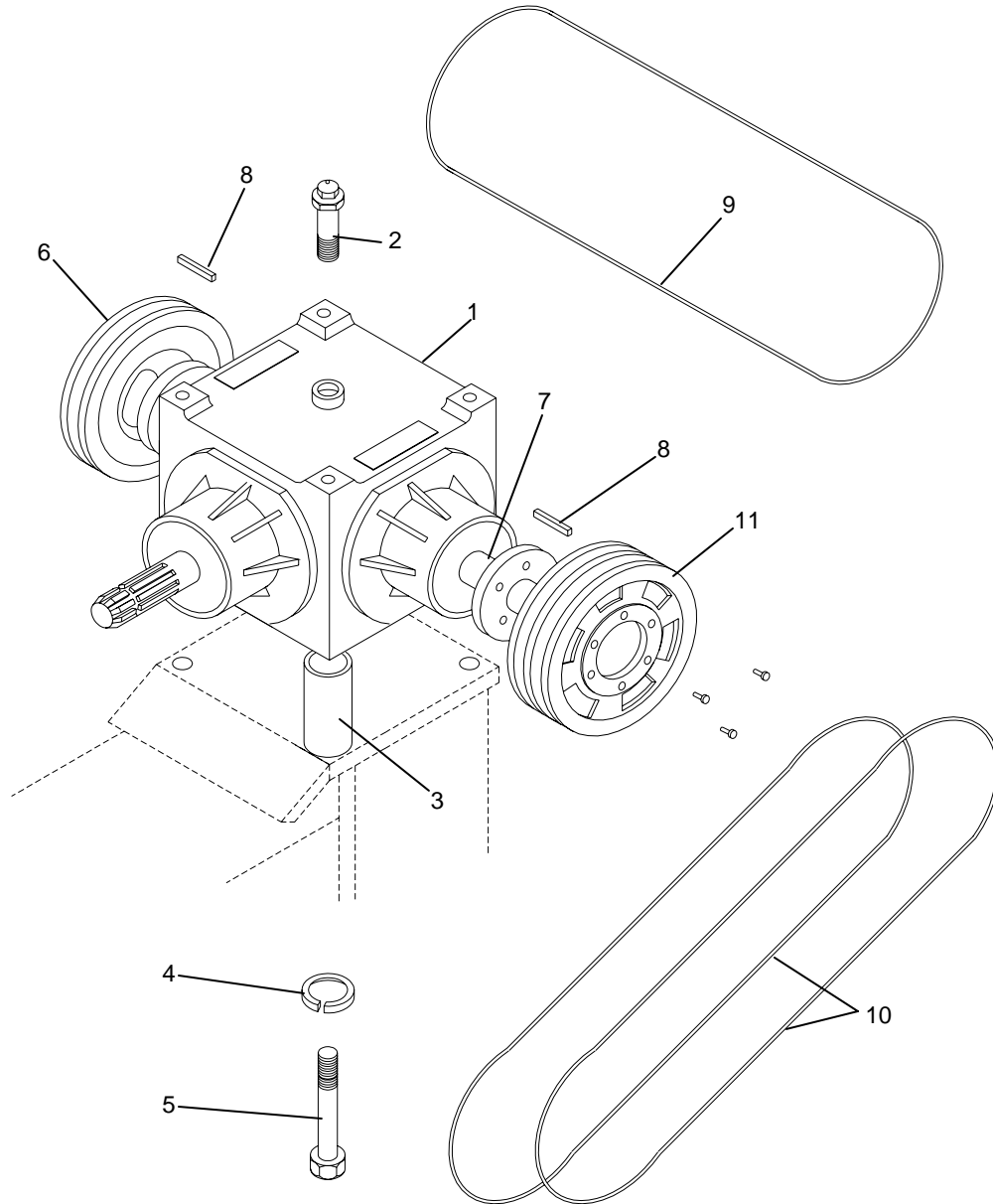
**Gearbox & Sheaves  
TVM-5130**

REF. NO.	PART NO.	QTY	DESCRIPTION
1	50022102	1	Gearbox Assy. (Comer) TVM-50
2	50022324	1	Vent Plug
3	50019943	1	Spacer, Gearbox
4	15806	4	Lockwasher 1/2"
5	20864	4	HHCS 1/2"-13 x 3" Gr.5
6	50022420	1	Pulley, 3 Belt 7" Dia.
7	50022107	2	Bushing, Tapered Split SK 1-1/8"
8	50022085	3	Pulley, 2 Belt 7" Dia.
9	65485	2	Key 2"
10	50022450	3	"V"-Belt BX-78
11	50022451	2	"V"-Belt BX-70



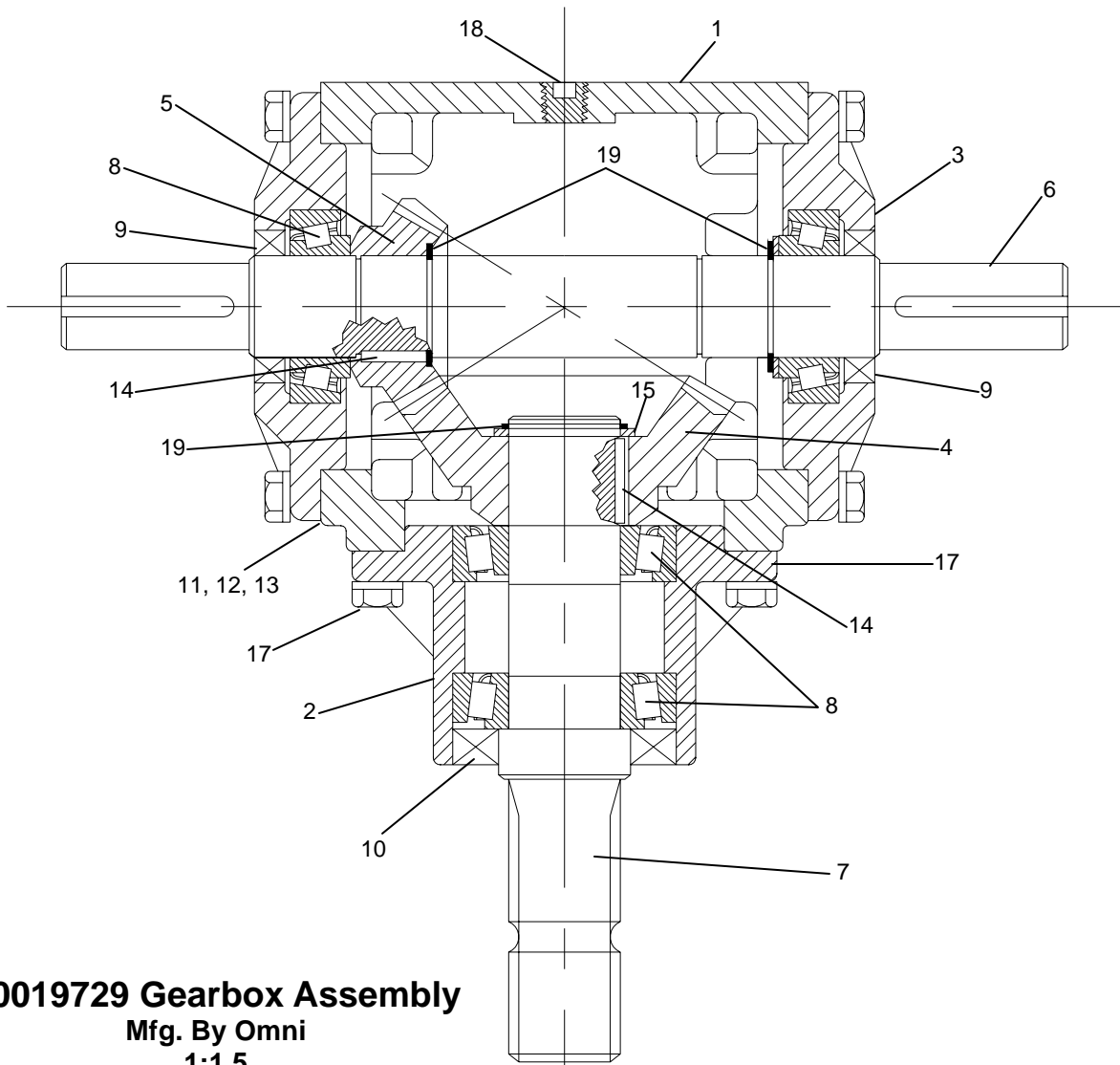
**50022102 Gearbox Assembly**  
**TVM-5130**  
**Manufactured by Comer**

REF. NO.	PART NO.	QTY	DESCRIPTION	REF. NO.	PART NO.	QTY	DESCRIPTION
1	70292	1	Oil Plug 3/8"	14	50022321	1	Spacer
2	70108	3	Oil Seal 35 x 72 x 10mm	15	70331	2	Shim 35.3 x 48 x .5
3	70133	3	Snap Ring 72 UNI7437	16	50022322	1	Shaft 1-3/8"
4	70642	2	Shim 60.3 x 71.7 x 1	17	70841	1	Snap Ring 35
5	70797	4	Bearing 30207	18	F7502880	1	Plug 1/4"
6	70903	4	Bolt M8 x 14 Gr.8.8	19	50022323	1	Casing
7	50022316	1	Pinion Z15 M5.7	20	50022324	1	Oil Level Plug
8	50022317	1	Cover	21	70639	2	Shim 60.3 x 71.7 x .3
9	70470	1	Locknut M35 x 1.5	22	70640	2	Shim 60.3 x 71.7 x .4
10	50022318	1	Shaft	23	70641	2	Shim 60.3 x 71.7 x .5
11	50022319	1	Spring Washer	24	70329	2	Shim 35.3 x 48 x .3
12	50022320	1	Crown Wheel Z22 M5.7	25	70330	2	Shim 35.3 x 48 x .4
13	70332	2	Shim 35.3 x 48 x 1.3				



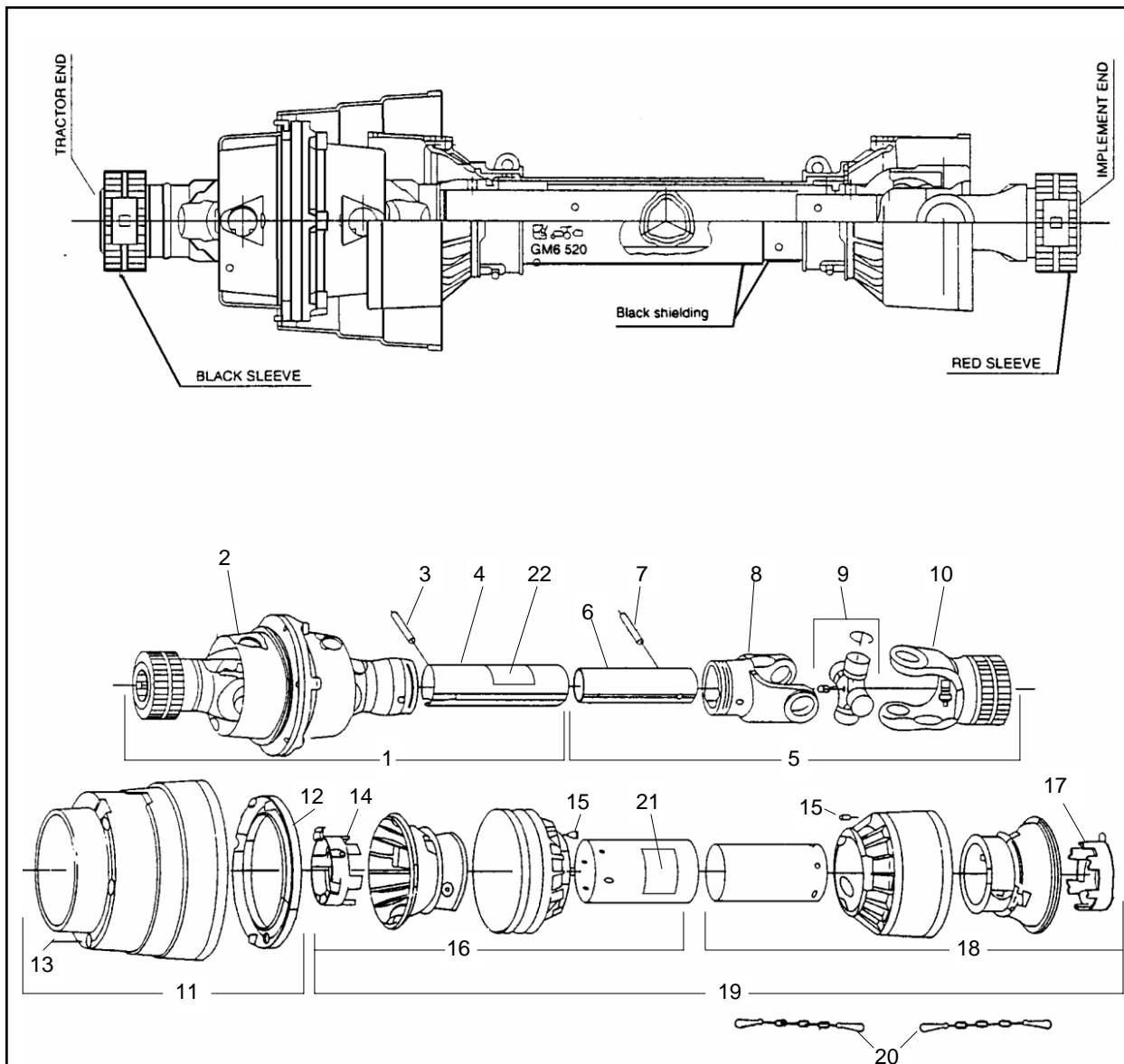
**Gearbox & Sheaves  
TVM-3077**

REF. NO.	PART NO.	QTY	DESCRIPTION
1	50019729	1	Gearbox Assy. (Omni) TVM-3077
2	50022324	1	Vent Plug
3	50019943	1	Spacer, Gearbox
4	15806	4	Lockwasher 1/2"
5	20864	4	HHCS 1/2"-13 x 3" Gr.5
6	50022086	1	Pulley, 1 Belt 7" Dia.
7	50022108	2	Bushing, Tapered Split SDS 1-1/8"
8	65485	2	Key 2"
9	50022450	3	"V"-Belt BX-78
10	50022451	2	"V"-Belt BX-70
11	50022085	1	Pulley, 2 Belt, 7" Dia.



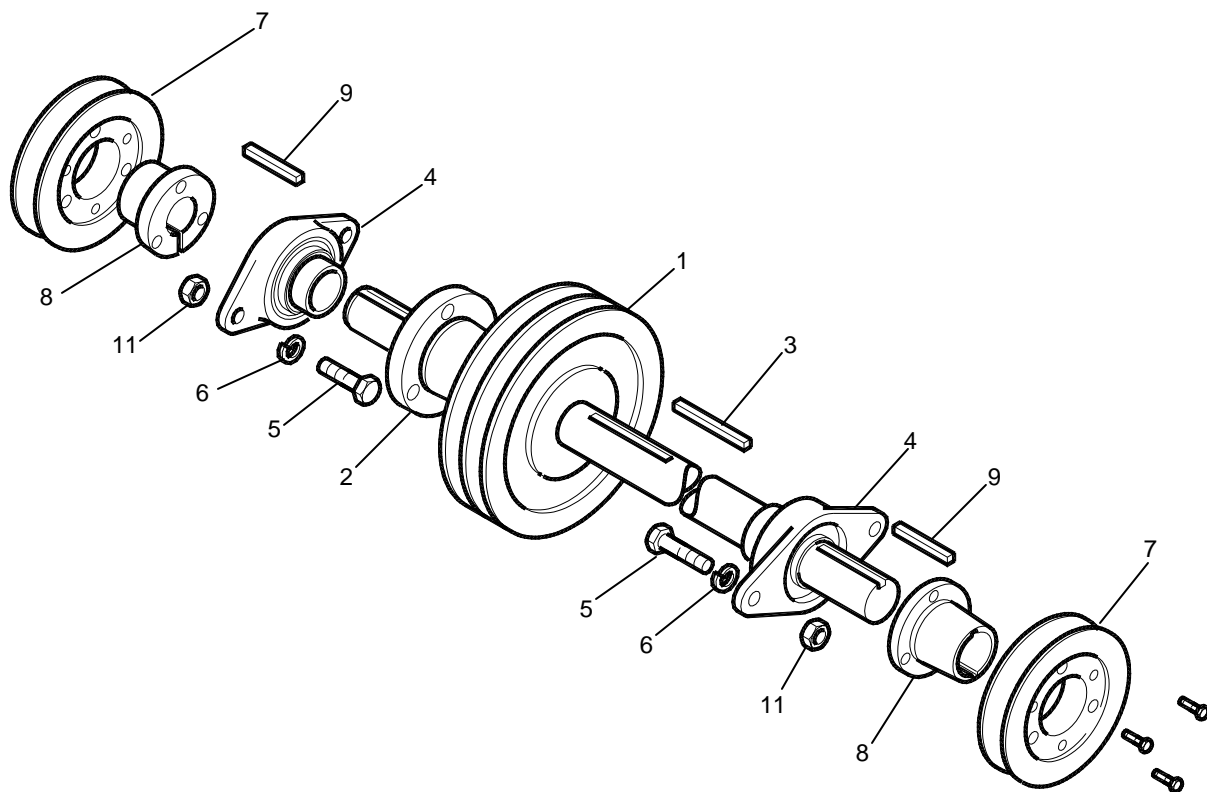
**50019729 Gearbox Assembly**  
**Mfg. By Omni**  
**1:1.5**  
**1-3/8"-6 Spline Input Shaft**  
**TVM-3077**

REF. NO.	PART NO.	QTY	DESCRIPTION	REF. NO.	PART NO.	QTY	DESCRIPTION
1	50022476	1	Housing	11	50022487	A/R	Gasket, Cap, 0.1
2	50022477	1	Cap, Cantilevered	12	50022488	A/R	Gasket, Cap, 0.2
3	50022478	2	Cap, Thru	13	50022489	A/R	Gasket, Cap, 0.3
4	50022479	1	Gear, 24T	14	50022490	2	Key, Square 10 x 25mm
5	50022480	1	Pinion, 16T	15	50022491	2	Spacer
6	50022481	1	Shaft, Output	16	1161010	24	HHCS 5/16" x 1" Gr.5
7	50022482	1	Shaft, Input	17	15808	24	Lockwasher 5/16"
8	70797	4	Bearing, 30207	18	78719	2	Plug, Socket Hd. 1/2"-14 NPTF
9	50022485	2	Seal, Thru Cap	19	50022493	4	Retaining
10	50022486	1	Seal, Cant. Cap				



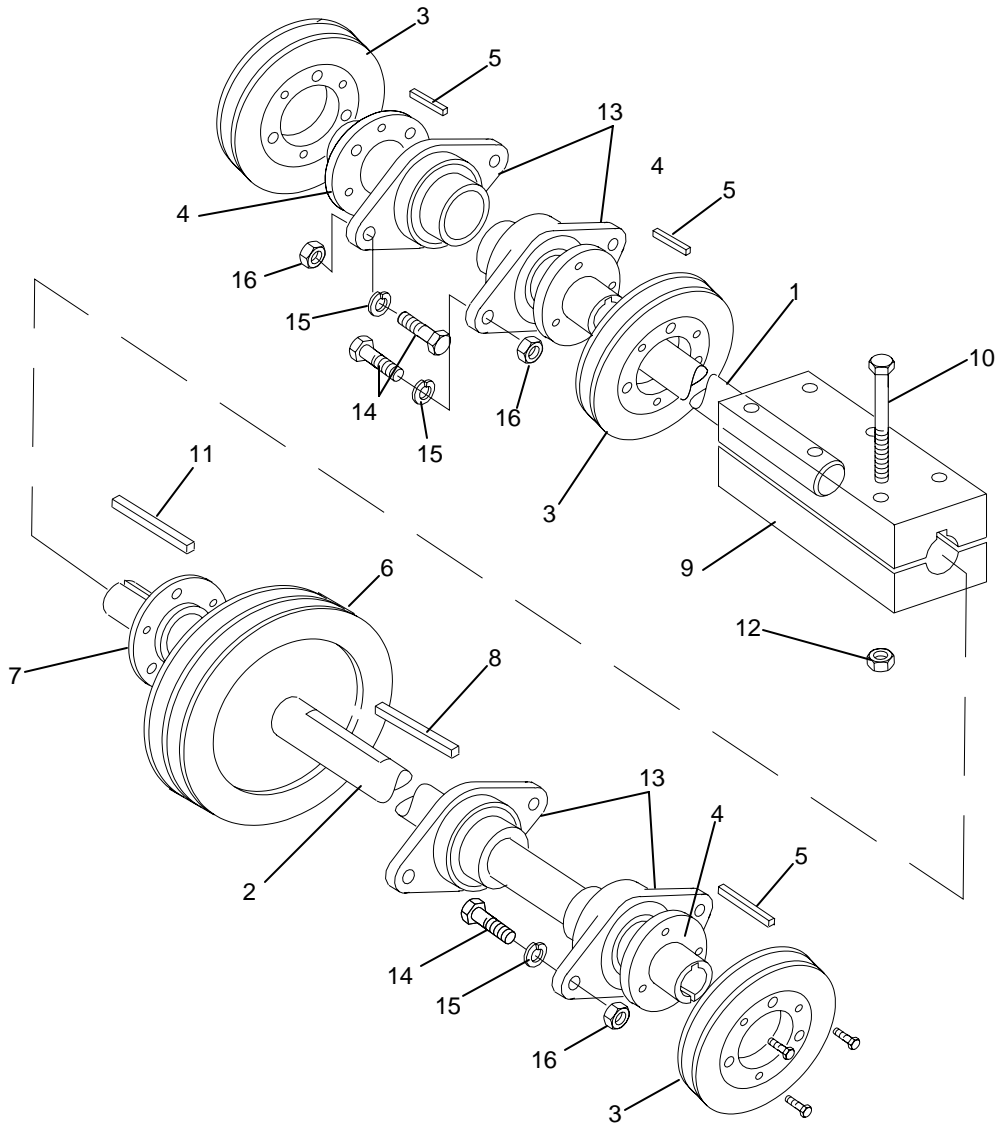
### 50022104 P.T.O. Shaft and Parts

REF. NO.	PART NO.	QTY	DESCRIPTION	REF. NO.	PART NO.	QTY	DESCRIPTION
1	50022676	1	Half Shaft, Outer	12	50022686	1	Bearing, Soft Cone
2	50022677	1	CV Joint Assembly	13	50022687	6	Screw, Self Tapping
3	50022678	1	Roll Pin 8mm x 65mm	14	50022688	1	Bearing, Shield Tube Outer
4	50022679	1	Outer Tube	15	50022669	2	Lock Pin
5	50022680	1	Half Shaft, Inner	16	50022675	1	Outer Half Shaft Shield
6	50022681	1	Inner Tube	17	50022689	1	Bearing, Shield Tube, Inner
7	50022682	1	Roll Pin 8mm x 55mm	18	50022690	1	Inner Half Shaft Shield
8	50022692	1	Yoke, Inner Tube	19	50022691	1	Complete Shield
9	64694	1	Cross Bearing Kit	20	50022673	3	Safety Chain
10	50022684	1	Yoke, Implement End	21	78608	1	Danger Decal
11	50022685	1	Wide Angle Shield	22	78786	1	Danger Decal



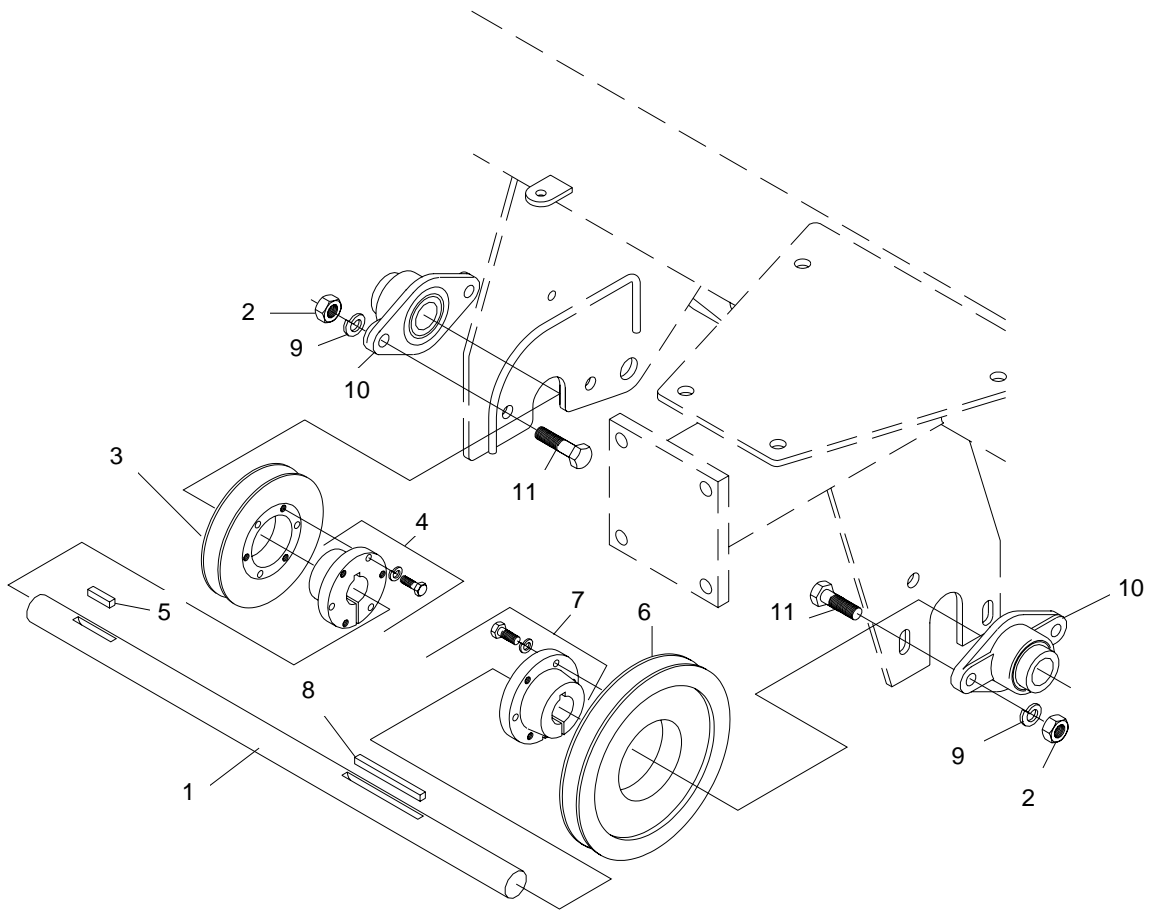
**Front Jackshaft Assembly**  
**TVM-5130 & TVM-3077**

REF. NO.	PART NO.	QTY	DESCRIPTION
1	50022087	1	Pulley 2 Belt 6.6PD
2	50022106	1	Bushing Split Taper SDS 1"
3	65484	1	Key 2"
4	50022101	2	Bearing 1" 2 Hole Flange
5	44614	4	HHCS 7/16"-14 x 1-1/4" Gr.5
6	15819	4	Lockwasher 7/16"
7		2	Pulley 1 Belt 4.4 PD
8	50022105	2	Bushing Split Taper SH 1"
9	93810	2	Key 1" x 1/4"
10	50019878	1	Front Jackshaft
11	8151400	4	Hex Nut 7/16"-14 Gr.5



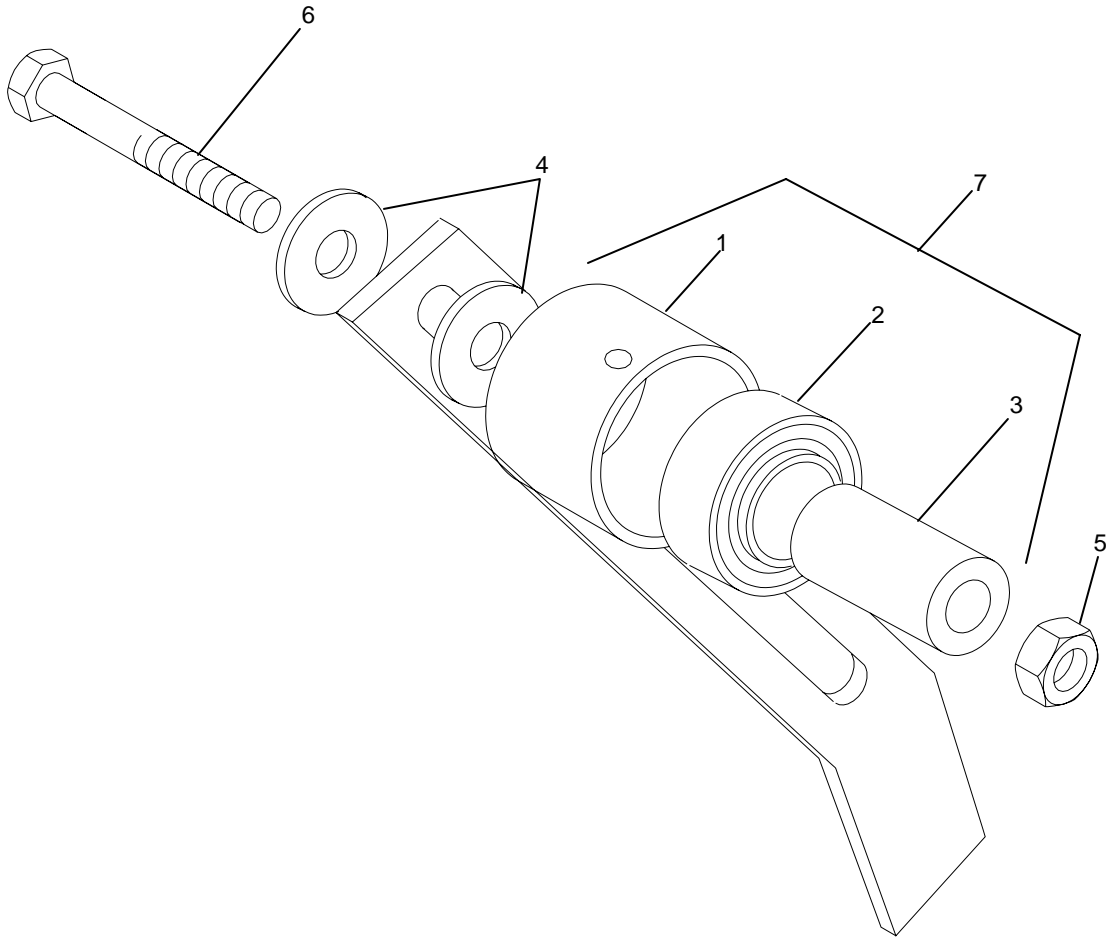
### Rear Jackshaft Assembly

REF. NO.	PART NO.	QTY	DESCRIPTION	REF. NO.	PART NO.	QTY	DESCRIPTION
1	50022327	1	RH Rear Jackshaft	9	50019999	1	Jackshaft Coupling Assy.
2	50019883	1	LH Rear Jackshaft	10	20504	6	HHCS 5-16"-18 x 2-1/2"
3	50022084	3	Pulley, 1 Belt 4.4 PD	11	50019885	1	Key 5"
4	50022105	1	Bushing, Split Taper SH 1"	12	44553	6	Hex Nut, Nylock 5/16"-18
5	93810	5	Key 1" x 1/4"	13	50022101	3	Bearing 1", 2 Bolt Flange
6	50022419	1	Pulley, 3 Belt 6.6 PD	14	44614	6	HHCS 7/16"-14 x 1-1/4"
7	50022428	1	Bushing, Split Taper SD 1"	15	15819	6	Lockwasher 7/16"
8	50019884	1	3" Key	16	8151400	6	Hex Nut 7/16"-14



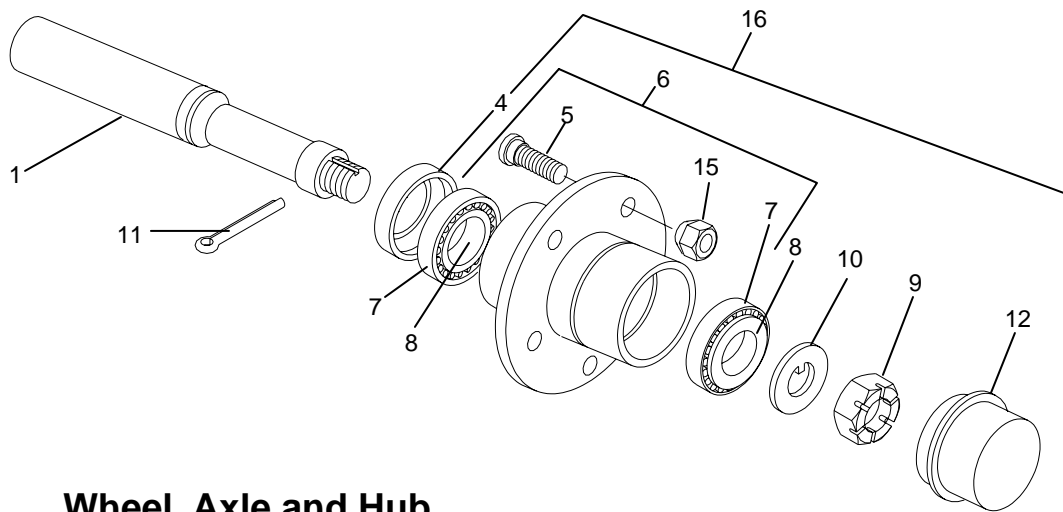
## Rear Jackshaft Assembly

REF. NO.	PART NO.	QTY	DESCRIPTION
1	50022334	1	Jackshaft, Rear-3 Gang
2	8151400	4	Hex Nut 7/16"-14 Gr5
3	50022084	1	Pulley, 1 Belt 4.4" PD
4	50022105	1	Bushing, Split Taper SH 1"
5	93810	1	Key 1/4" x 1/4" x 1"
6	50022088	1	Pulley, 1 Belt 6.6" PD
7	50022106	1	Bushing, Split Taper SDS 1"
8	50019884	1	Key 1/4" x 1/4" x 3"
9	44618	4	Lockwasher 7/16"
10	50022101	2	Bearing, 2 Bolt Flange 1" Bore
11	15012	4	HHCS 7/16"-14 x 1-1/2"

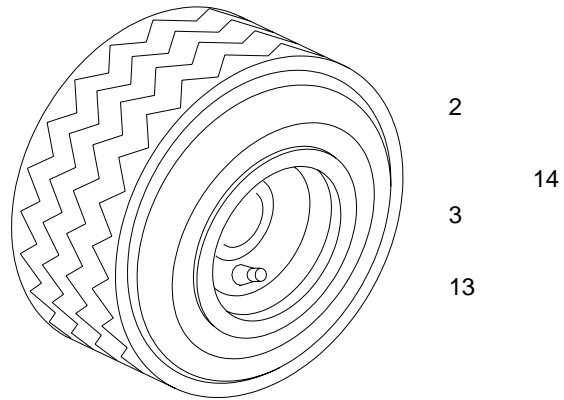


### Belt Idler Assembly

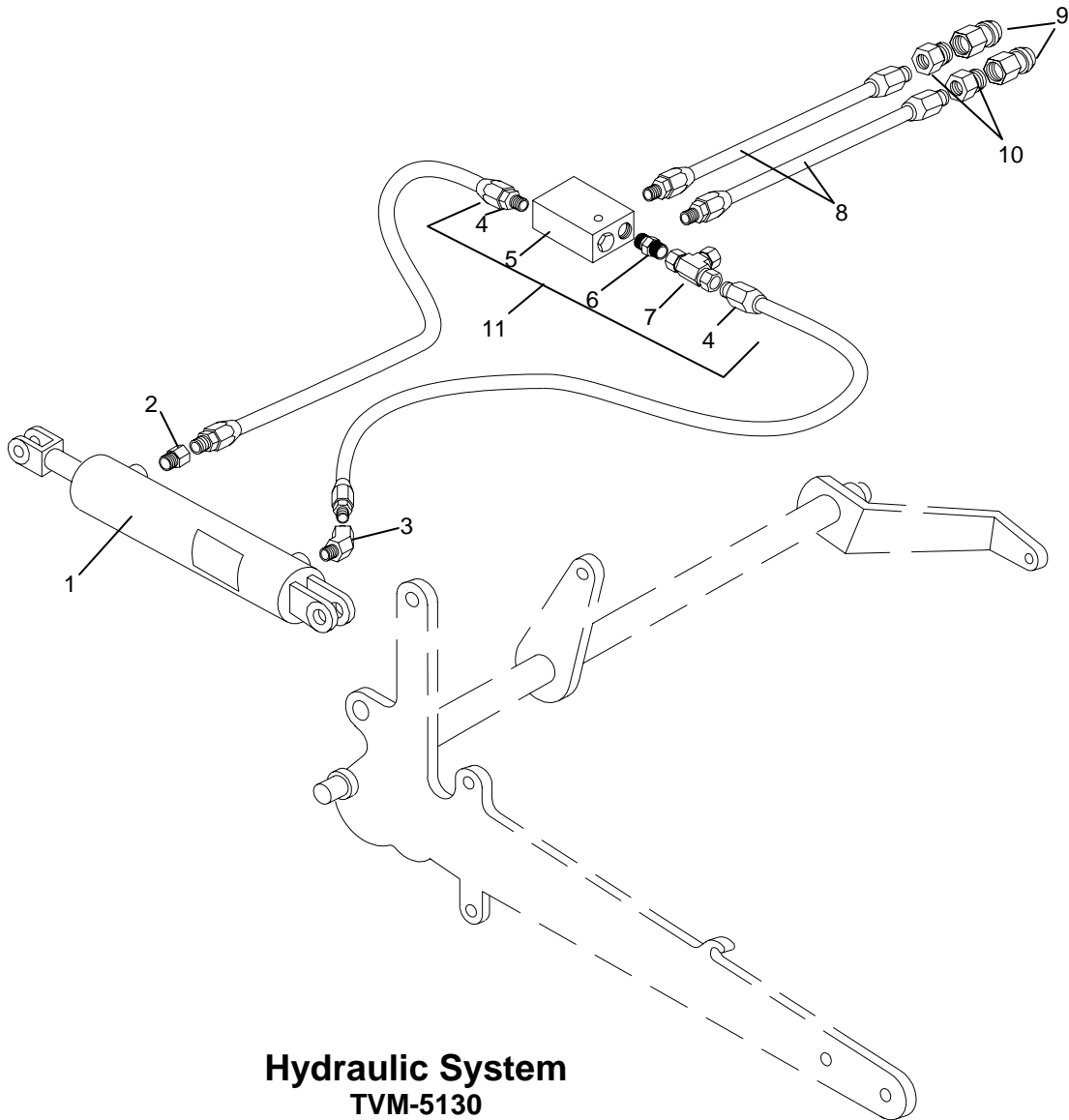
REF. NO.	PART NO.	QTY	DESCRIPTION
1	50019889	1	Idler Shell 2-1/2"
	50019912	1	Idler Shell 2"
2	50019890	1	Bearing, 1" ID x 52 mm OD
3	50019891	1	Bushing 1" OD x 2"
4	15829	2	Flatwasher 1/2"
5	44539	1	Nylock Hex Nut 1/2"-13
6	20864	1	HHCS 1/2"-13 x 3" Gr.5
7	50019892	1	Belt Drive Idler Assy. 2-1/2"
	50019913	1	Belt Drive Idler Assy. 2"



## Wheel, Axle and Hub Assembly

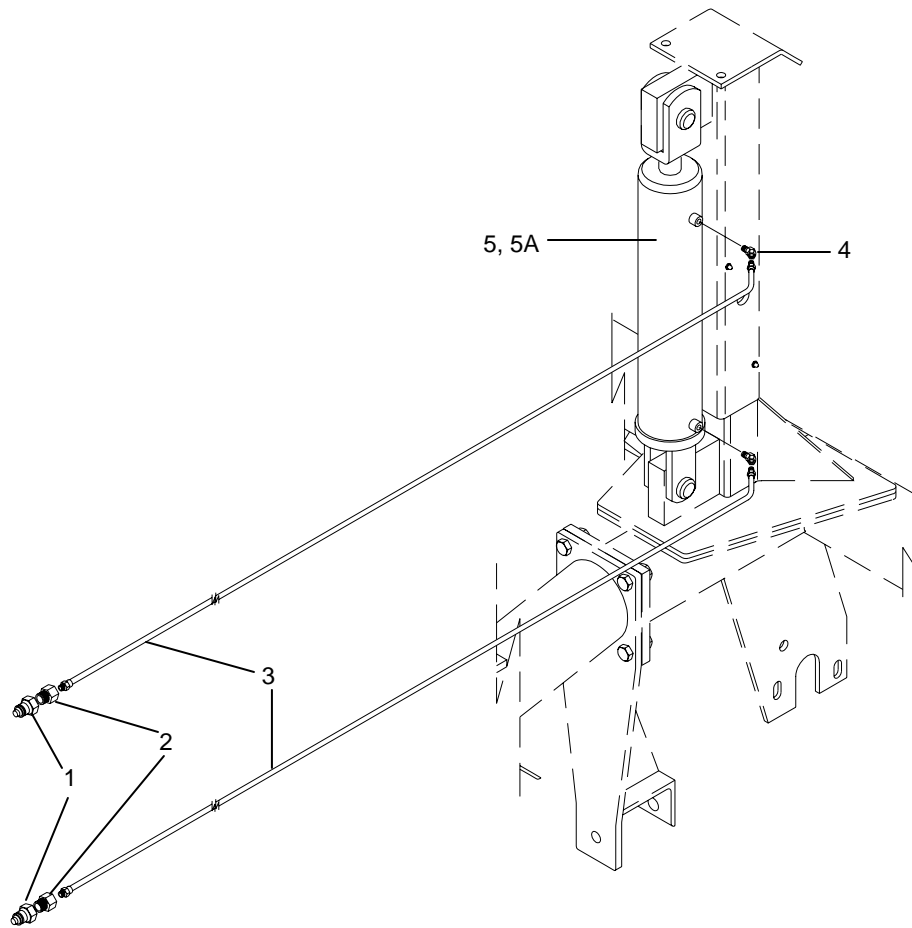


REF. NO.	PART NO.	QTY	DESCRIPTION
1	50019879	1	Axle 10"
2	50022630	1	Tire, 18 x 8.5 x 8 (Ribbed) TVM-5130
	50022625	1	Tire, 18 x 8.5 x 8 (Highway) TVM-5130
	50022628	1	Tire, 16 x 6.5 x 8 (Ribbed) TVM-3077
3	50022626	1	Wheel 8 x 7-5 Bolt, TVM-5130
	50022629	1	Wheel 8 x 5-3/8", 5 Bolt, TVM-3077
4	50022632	1	Seal
5	52012	5	Wheel Stud 1/2"-20 x 1-7/8"
6	50022631	1	Hub w/ Cups
7	170	2	Bearing Cup L44610
8	22	2	Bearing Cone L44643
9	120	1	Castle Nut 3/4"-16
10	50019662	1	Keyed Washer 3/4"
11	20166	1	Cotter Pin 1/8" x 1-1/4"
12	50022633	1	Dust Cap
13	50022627	1	Valve Stem
14	50022178	1	Ribbed Tire & Wheel Assy. TVM-5130
	50019920	1	Highway Tire & Wheel Assy. TVM-5130
	50022364	1	Highway Tire & Wheel Assy. TVM-3077
15	15515	5	Lug Nut, 1/2"-20 UNF
16	50022095	1	Hub Assy.



### Hydraulic System TVM-5130

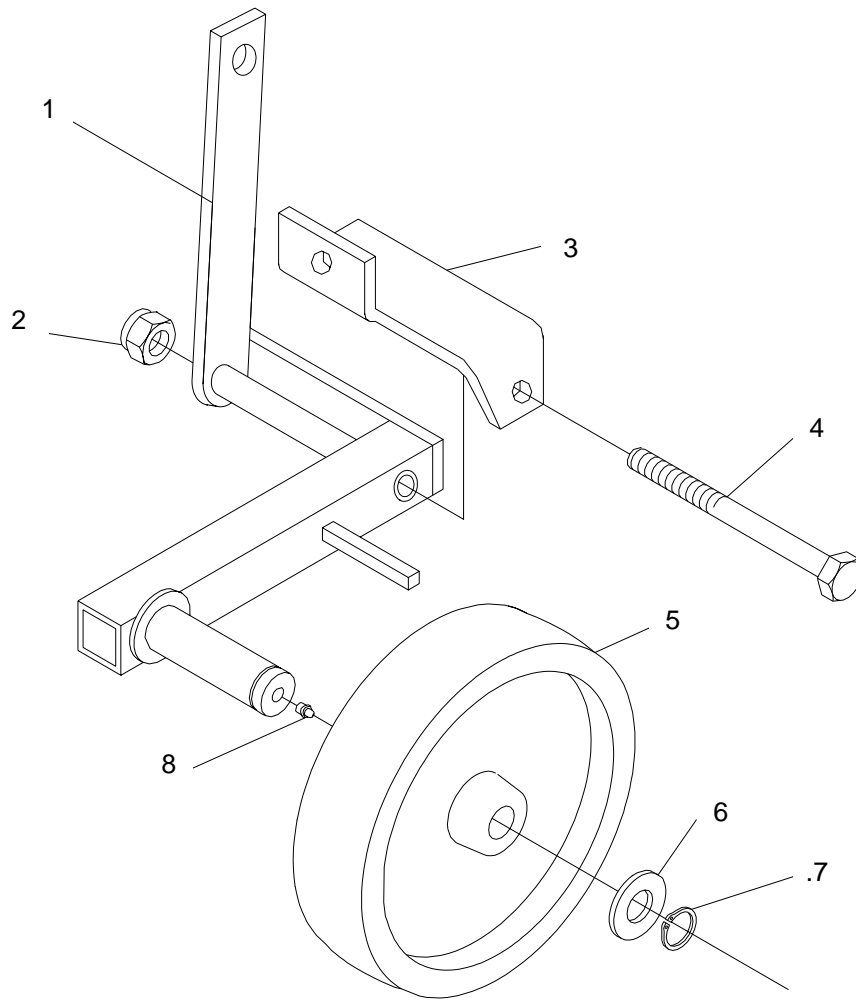
REF. NO.	PART NO.	QTY	DESCRIPTION
1	50022177	1	Hydraulic Cylinder 2-1/2" Bore x 10" Stroke x 1" Rod Dia. W/ Decal
	50022590	1	Seal repair Kit for 50022177 Hydraulic Cylinder
2	50022093	1	AD 1/4" NPTF x 1/4" NPTM -1/32" ORFC
3	50022094	1	Elbow 45° 1/4" NPTF x 1/4" NPTM
4	50019926	2	Hose Assembly 18" 1/4" NPTM ends
5	50019925	1	Check Valve
6	50019927	1	AD 1/4" NPTM Close Nipple
7	50019928	1	TE 1/4" NPTF Adaptor Tee
8	50022091	2	Hose Assembly 120"
9	50022092	2	QD Adaptor
10	50022090	2	AD 1/2" NPTM x 1/4" NPTF
11	50019929	1	Check Valve Assy.
12	50022079	1	Caution Decal



### Hydraulics for Lift Bundle TVM-3077

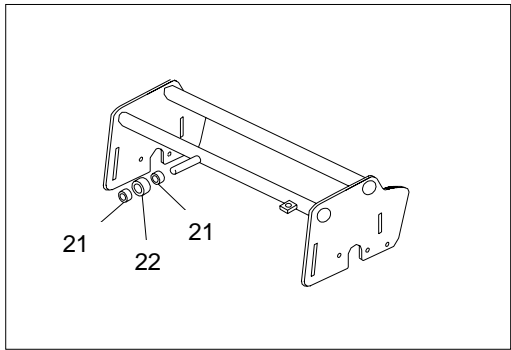
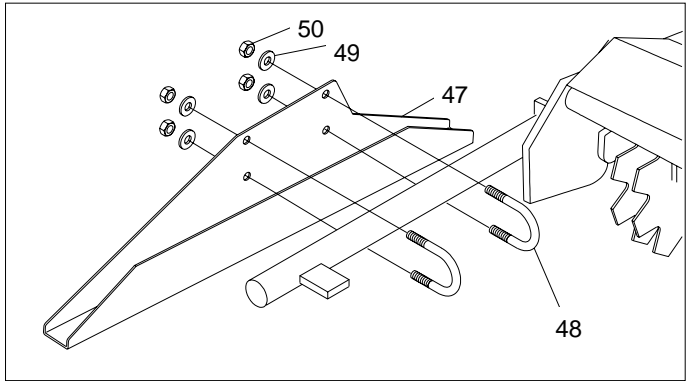
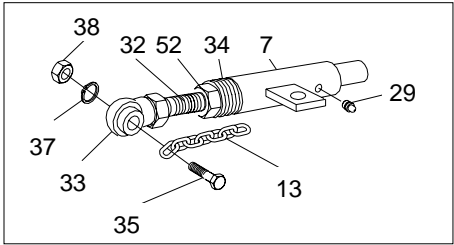
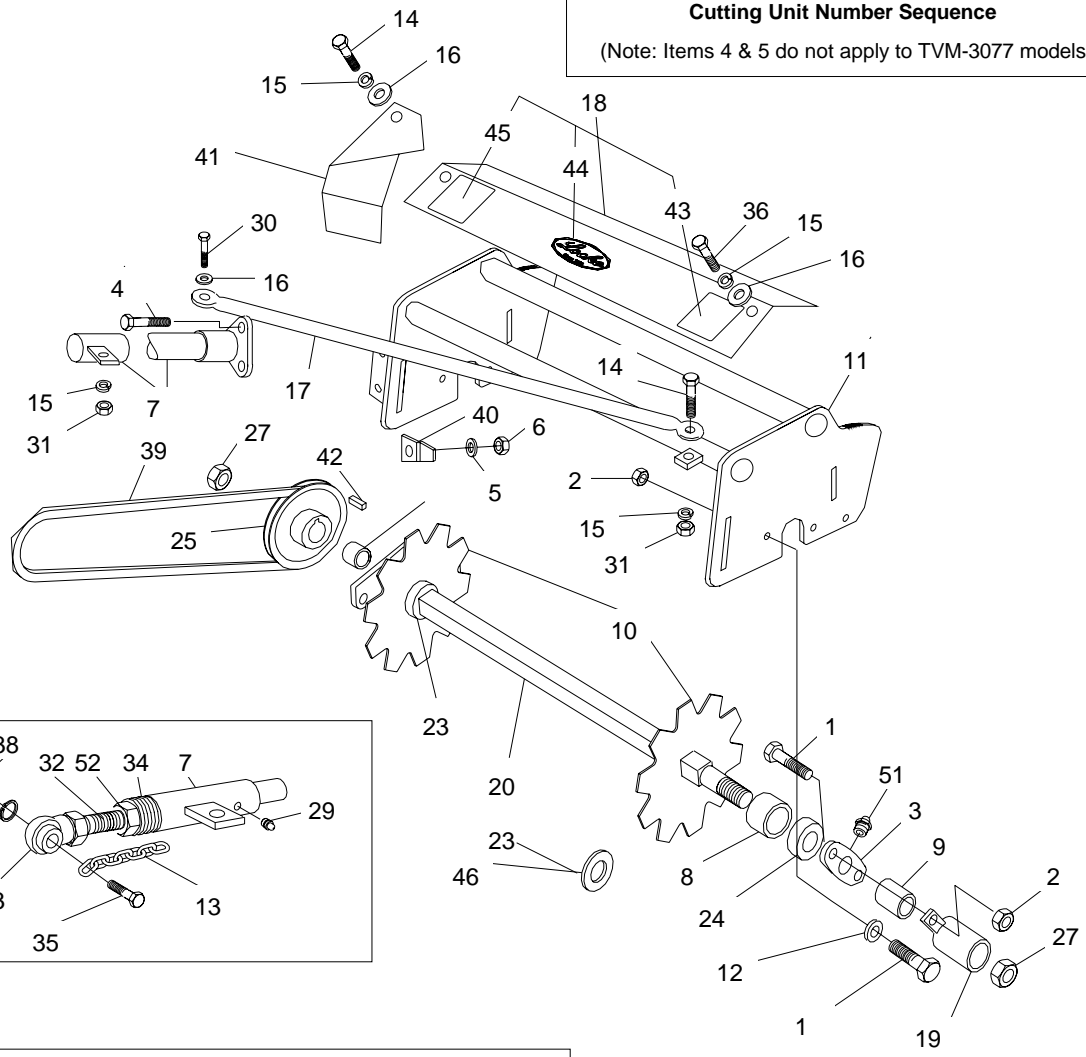
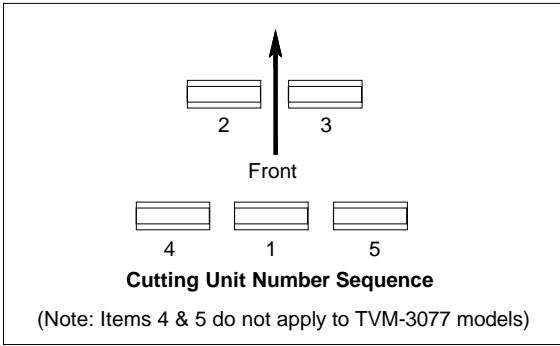
REF. NO.	PART NO.	QTY	DESCRIPTION
1	50022092	2	Coupler 1/2" NPT
2	50022090	2	Adaptor 1/4" FNPT to 1/2" MNPT
3	50022091	2	Hose 1/4" FNPT to 1/2" MNPT
4	50022094	2	Elbow 45° 1/4" MNPT to 1/4" FNPT
5	50022089	2	Hydraulic Cylinder 2.5" Bore x 10" Stroke x 1-1/2" Rod Dia.
5A	50022590	1	Seal Kit for 50022089 Hydraulic Cyl.





### Adjusting Wheel TVM-3077 and TVM-5130

REF. NO.	PART NO.	QTY	DESCRIPTION
1	50038250	1	Wheel Pivot Arm Weldment Left Hand
	50037669	1	Wheel Pivot Arm Weldment Right Hand
2	44539	1	Hex Nut 1/2" CP Nylock
3	50037665	1	Wheel Brace Left Hand
	50037664	1	Wheel Brace Right Hand
4	20496	1	HHCS 1/2" x 5-1/2" G5 ZP
5	50022365	1	Wheel 8" x 2" x .75" Bore
6	50022409	1	Wheel Washer
7	50022408	1	Snap Ring External
8	449	1	Grease Fitting



**Cutter Head  
TVM-3077 & TVM-5130  
(with standard .063" thick blades)**

REF. NO.	PART NO.	QTY	DESCRIPTION	REF. NO.	PART NO.	QTY	DESCRIPTION
1	44610	6	HHCS 7/16"-14 x 1" G8	26	50022106	1	Split Bushing, Taper SDS 1"
2	44617	6	Hex Nut, Nylock 7/16"-14	27	15614	2	Jam Nut 1"-14 UNF
3	50022380	2	Bearing 1" Bore, 2 Bolt Flange	28	50022374	1	Side Spacer (Drive Side)
4	44614	3	HHCS 7/16"-14 x 1-1/4" G8	29	449	1	Grease Fitting
5	15819	3	Lockwasher 7/16"	30	20011	1	HHCS 5/16"-18 x 1-1/2"
6	8151400	3	Hex Nut 7/16"-14 G5	31	15528	1	Hex Nut 5/16"-18
7	50037653	1	Telescoping Arm, Single Roller	32	50022363	1	Telescoping Arm Shaft
8	50022377	2	Outer Spacer	33	50022397	1	Ball Socket Weldment
9	50022375	1	Idler Side Spacer	34	50035243	1	Spring
10	50030203	22	Blade .063" Thick	35	50022123	1	Pivot Bolt w/ Shield Mount Hole
	110029	21	Dynablade w/Carbide tip (not shown)	36	1161006	1	HHCS 5/16"-18 x 3/4" G5
				37	146	1	Lockwasher 3/4"
11	50038260	1	No. 1, 2 & 3 Frame Weld.	38	19517	1	Hex Nut 3/4"-10
	50038261	1	No. 4 Frame Weld.	39	50022398	1	V-Belt BX68
	50038283	1	No. 5 Frame Weld.	40	50022395	1	Pulley Scraper RH
12	44618	A/R	Flatwasher 7/16" SAE G8		50022396	1	Pulley Scraper LH
13	50022142	1	Safety Chain	41	50038259	1	Pulley Guard LH
14	1161010	1	HHCS 5/16"-18 x 1"		50038258	1	Pulley Guard RH
15	15808	2	Lockwasher 5/16"	42	93810	1	Key 1" x 1/4"
16	20568	2	Flatwasher 5/16"	43	50022077	1	Danger Decal
17	50022199	1	Telescoping Arm Stay Rod	44	500033	1	Locke Turf Decal
18	50022325	1	#1, Shield Assy. w/ Decals	45	50022075	1	Danger Decal
	50022284	2	#2 & #3 Shield Assy. w/ Decals	46	50022378	A/R	Blade Spacer.125" Thick
	50022285	1	#4, Shield Assy. w/ Decals	47	50022459	1	Spring Guard
	50022286	1	#5, Shield Assy. w/ Decals	48	50022817	2	U-bolt 5/16" x 1-3/8" x 2-3/16"
19	50022394	1	Shaft Shield	49	20568	4	Flatwasher 5/16" SAE
20	50037663	1	Blade Shaft	50	44553	4	Hex Locknut 5/16" Nylock
21	50022212	1	Nylon Roller	51	50022184	2	Grease Fitting
22	50022213	2	Set Collar 1"	52	50035242	1	Jam Nut Nylon 1"-8
23	50022376	21	Blade Spacer, 22 Blade				
	50033874	33	Blade Spacer, 34 Blade				
	50033895	46	Blade Spacer, 46 Blade				
	50033894	82	Blade Spacer, 83 Blade				
24	50022381	2	Shaft Washer				
25	50022088	1	Pulley, 6.6" P.D.				

**50022425 Decal Kit  
TVM-5130**

PART NO.	QTY	DESCRIPTION
50022064	1	Caution Decal (540 RPM, Gearbox)
50022065	1	Danger Decal (PTO Shield)
50022066	2	Danger Decal (Tongue)
50022067	2	Decal, Flag (Tongue)
50022070	1	Warning Decal (Tongue)
50022071	1	Warning Decal (Tongue)
50022072	1	Danger Decal (PTO Shield)
50022074	1	Notice Decal (PTO Shield)
50022075	10	Danger Decal (Reel Head Shield)
50022076	4	Caution Decal (Frame & Tire)
50022077	10	Danger Decal (Reel Head Shield)
50022079	1	Caution Decal (Cylinder)
50022081	1	Notice Decal (Tongue)
50022303	4	Caution Decal (Frame & Tire)
32767	4	Red Reflector
32768	4	Amber Reflector
50100034	1	Model Decal (TVM-5130)
500033	1	Locke Decal

**50022436 Decal Kit  
TVM-3077**

PART NO.	QTY	DESCRIPTION
50022064	1	Caution Decal (540 RPM, Gearbox)
50022065	1	Danger Decal (PTO Shield)
50022066	2	Danger Decal (Tongue)
50022067	2	Decal, Flag (Tongue)
50022070	1	Warning Decal (Tongue)
50022071	1	Warning Decal (Tongue)
50022072	1	Danger Decal (PTO Shield)
50022074	1	Notice Decal (PTO Shield)
50022075	10	Danger Decal (Reel Head Shield)
50022076	4	Caution Decal (Frame & Tire)
50022077	10	Danger Decal (Reel Head Shield)
50022079	1	Caution Decal (Cylinder)
50022081	1	Notice Decal (Tongue)
50022303	4	Caution Decal (Frame & Tire)
32767	4	Red Reflector
32768	4	Amber Reflector
50100033	1	Model Decal (TVM-3077)
500033	1	Locke Decal



500033



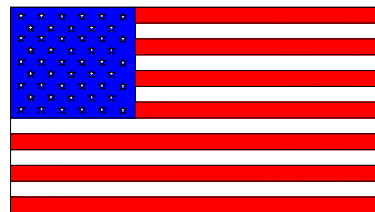
50100033



50100034



50022064



50022067



50022065



50022066



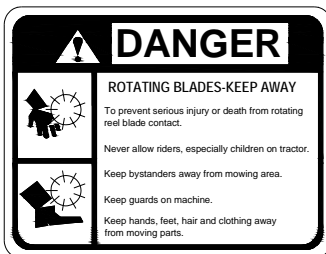
50022075



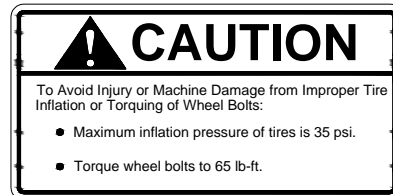
50022070



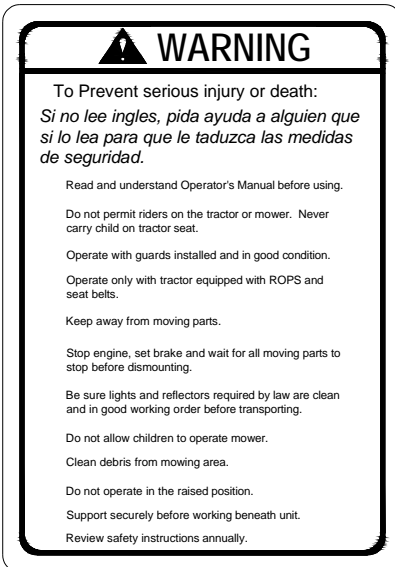
50022081



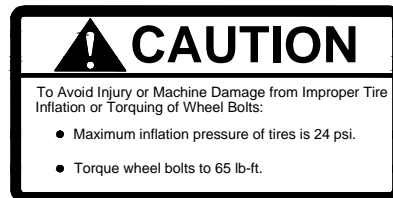
50022077



50022303



50022073



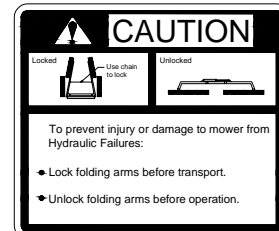
50022071

50022076

RED REFLECTOR 53310



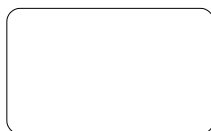
50022074



50022079



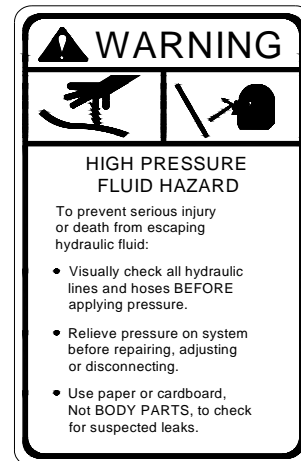
50022072



Amber Reflector 53315



Red Reflector 53316



50022071

## Notes

## Notes



**Locke Turf**

307 Highway 52E, Opp, Alabama 36467, (334) 493-1300