



Mulching and Finishing Mowers MP and FP



Parts Manual

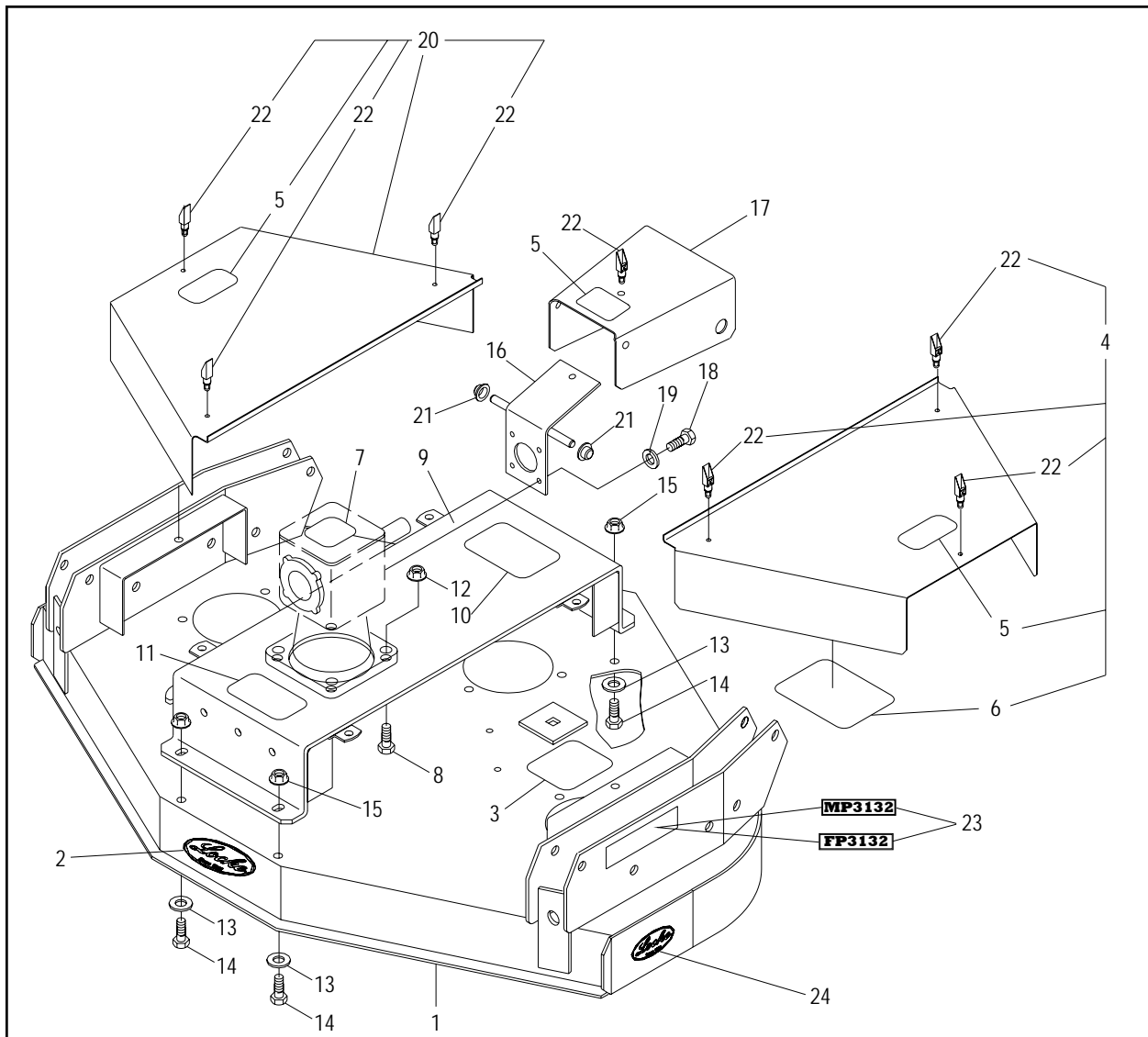
Locke Turf

307 Highway 52E, Opp, Alabama 36467, (334) 493-1300

Transport Wheel, Tire & Spindle MP and FP

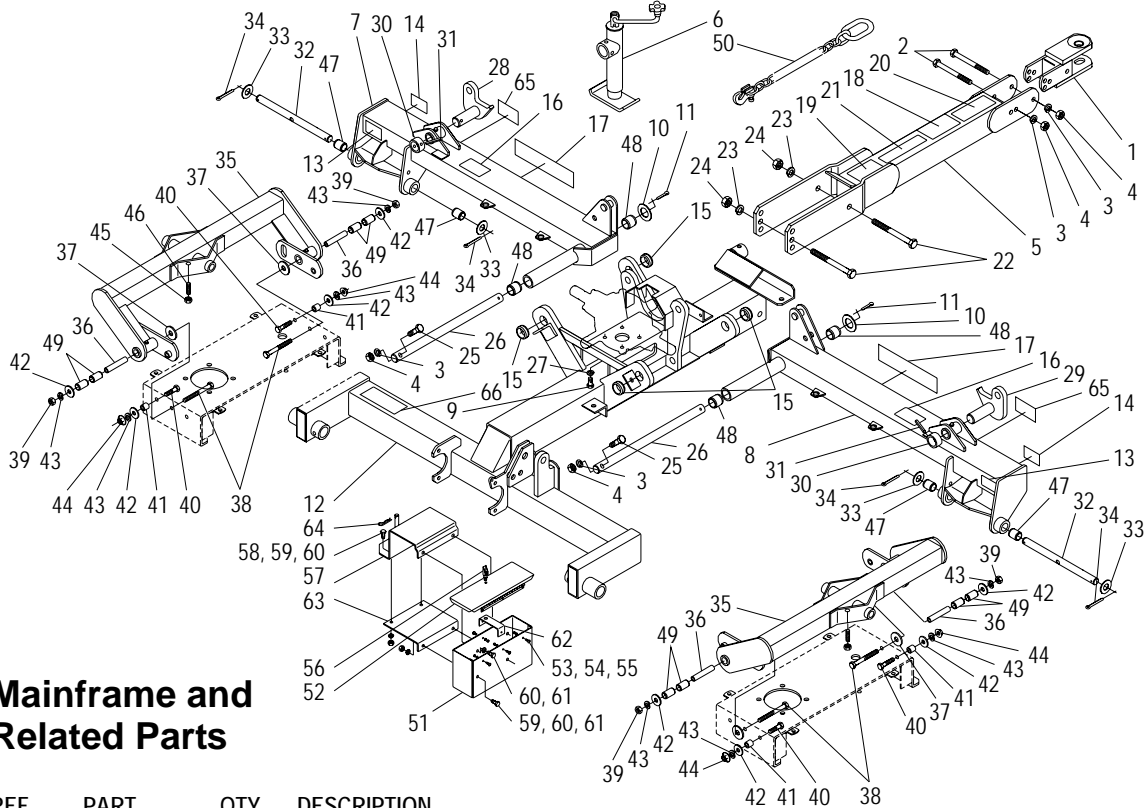
ALPHABETICAL INDEX

CONTENTS	PAGE
50017492 Hydraulic Cylinder (Rear)	7-1
70015 Gearbox Assembly Deck Drive	3-1
70833 Divider Gearbox	3-2
76644 Driveshaft, Wing	4-2
76678 Driveshaft, Center	4-1
93063 C.v. Driveshaft (Input)	4-3
99564 Wing Lift Hydraulic Cylinder	7-2
Base Frame & Shielding	1-1
Blade Spindle (MP)	2-3
Blade Spinde (FP)	2-4
Blades, Belts & Pulleys (MP)	2-1
Blades, Belts & Pulleys (FP)	2-2
Caster Arm & Wheel Assemblies	5-1
Hydraulic Assembly	6-1
Mainframe & Related Parts	1-2
Rear Arm Assembly	1-3
Roller Assembly	5-3
Shielding, Center Transfer Gearbox	3-3
Transport Latching Parts	1-4
Transport Wheel, Tire & Spindle	5-2



Base Frame & Shielding

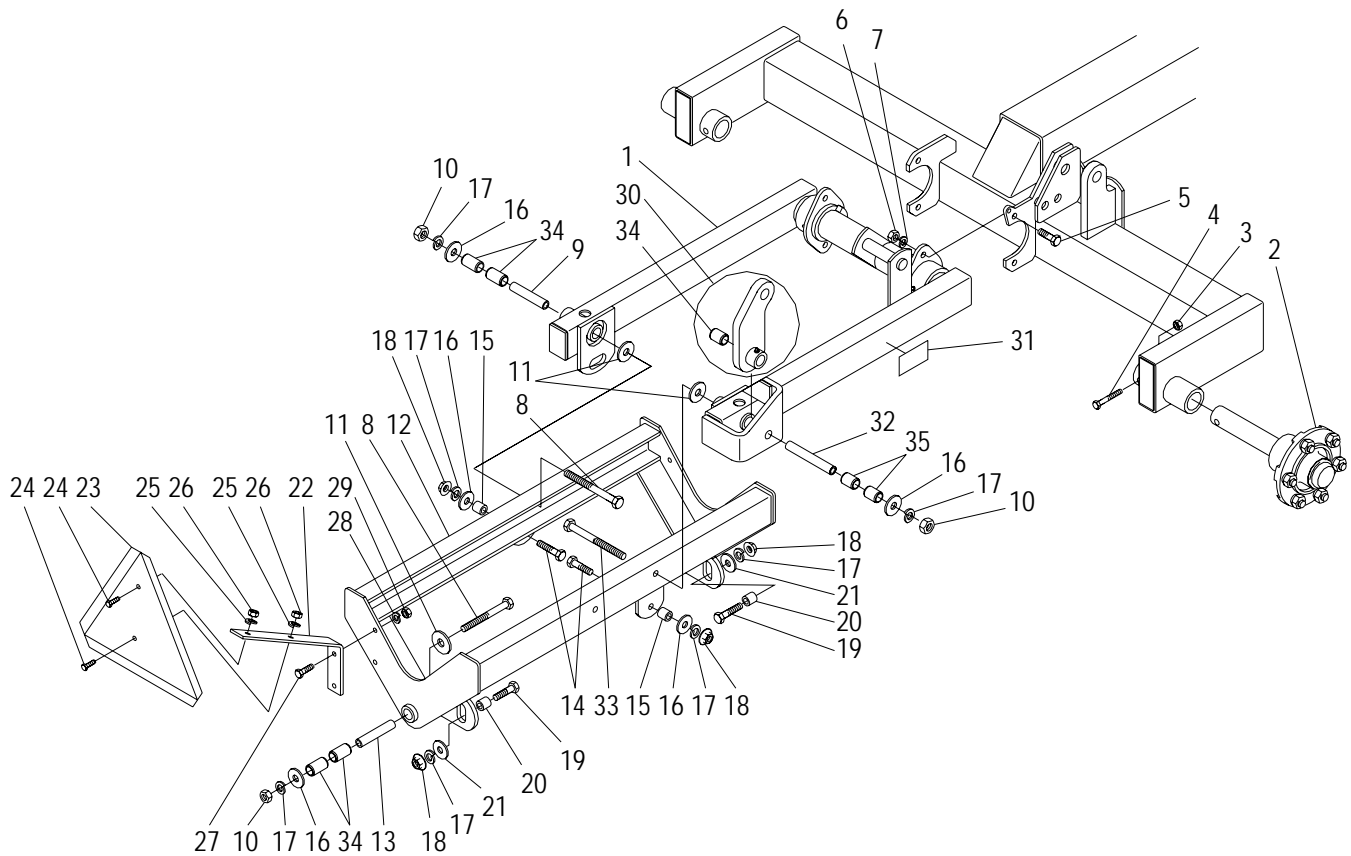
REF. NO.	PART NO.	QTY	DESCRIPTION	REF. NO.	PART NO.	QTY	DESCRIPTION
1	50026138	1	Deck w/Decals	14	1056	4	HHCS 1/2" x 1-1/4" Gr.5
2	500033	1	Decal, Locke (Large)	15	19518	4	Locknut, Flange 1/2"
3	50012616	2	Decal, Danger	16	98253	1	Shield Mount Bracket
4	99498	1	R.H. Shield w/Decals	17	98174	1	Shield w/Decal
5	50012615	3	Decal, Warning	18	44215	4	HHCS M8 x 1.25 x 15mm
6	98082	2	Decal. Belt Installation	19	44311	4	Lockwasher M8
7	89477	1	Decal, Warranty	20	99499	1	L.H. Shield w/Decals
8	15165	3	HHCS 5/8" x 1-3/4"	21	50014067	2	Cap
9	50021133	1	Gearbox Stand w/Decal	22	98284	7	Swell Latch
10	83105	1	Decal, Warning	23	50100010	1	Decal, Model (MP Series)
11	82619	1	Decal, Danger		50100006	1	Decal, Model (FP Series)
12	20414	4	Locknut, Flange 5/8"	24	500034	2	Decal, Locke (Small)
13	15916	4	Flatwasher 1/2"				



Mainframe and Related Parts

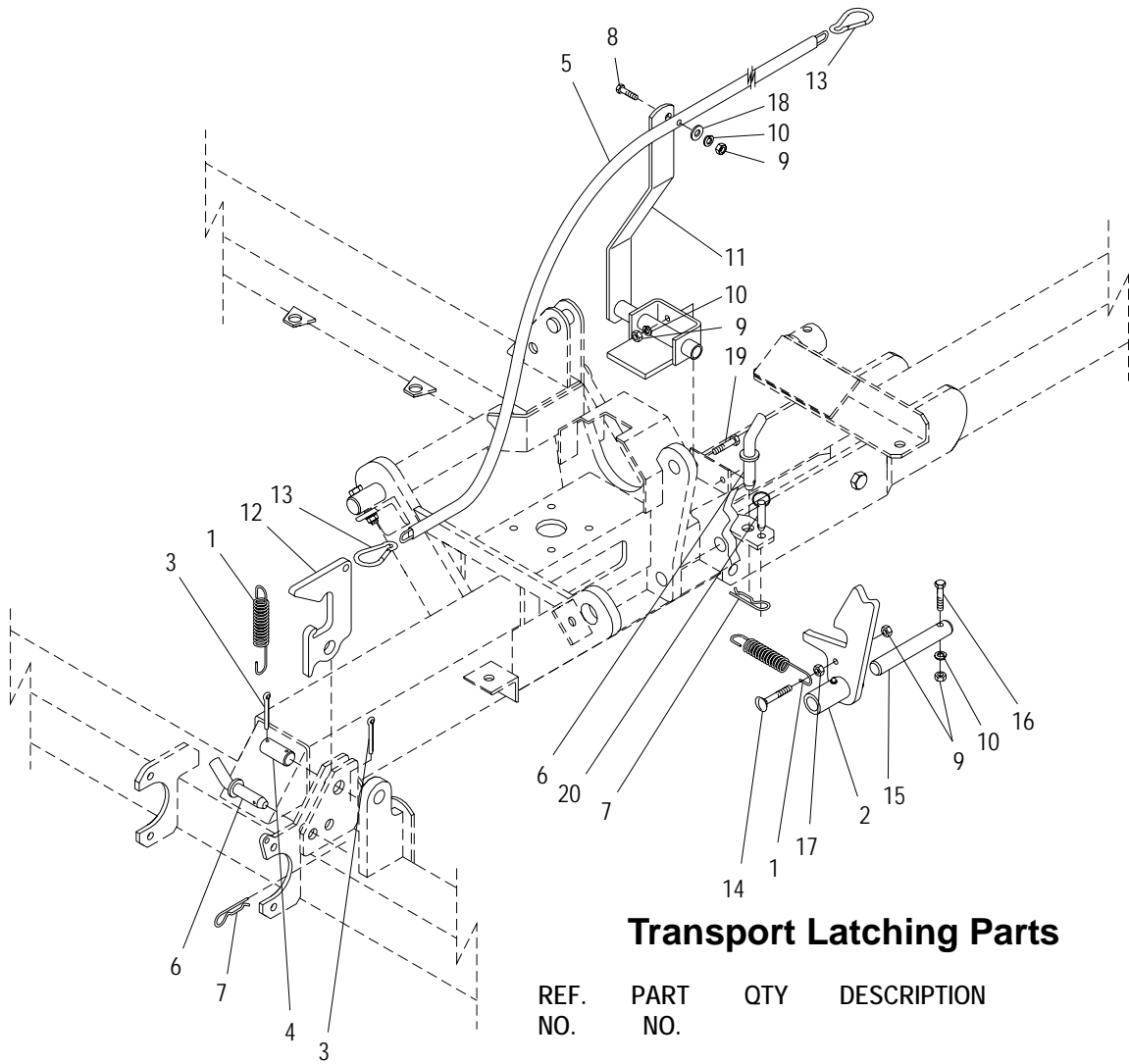
REF. NO.	PART NO.	QTY	DESCRIPTION
1	97143	1	Hitch Weldment
2	20923	2	HHCS 5/8" x 6" Gr.5
3	19486	4	Lockwasher 5/8"
4	15509	4	Hex Nut 5/8"
5	50024783	1	Tongue w/Decals
6	24D25128	1	Jackstand Assembly
7	50024784	1	Wing Assembly, L.H.
8	50024785	1	Wing Assembly, R.H.
9	44204	2	HHCS M12 x 1.75 x 25 Gr.8
10	20567	2	Flatwasher 1-1/4"
11	15474	2	Cotter Pin 1/4" x 1-3/4"
12	50018633	1	Frame Weldment
13	50031214	2	Reflector, Red
14	53315	2	Reflector, Amber
15	50020352	4	Spring Bushing 1-1/2" x 1-1/4" x 3/4"
16	83343	2	Decal, Warning
17	500033	2	Decal, Locke
18	82683	1	Decal, Warning
19	87317	1	Decal, Drawbar
20	87340	1	Decal, Important
21	60873	1	Decal, Caution
22	20766	2	HHCS 3/4" x 7-1/2"
23	146	2	Lockwasher 3/4"
24	44704	2	Hex Nut 3/4"
25	44008	2	HHCS 5/8" x 2-1/4"
26	50020226	2	Pivot Pin
27		2	Lockwasher M12
28	50017147	1	Swivel Weldment, LH
29	50017140	1	Swivel Weldment, RH
30	50017145	2	Collar
31	20237	2	Roll Pin 3/8" x 2-1/2"
32	50021164	2	Pin
33	20376	4	Flatwasher 1" SAE
34	15474	4	Cotter Pin 1/4" x 1-3/4"
35	50021120	2	Deck Roll Bracket

REF. NO.	PART NO.	QTY	DESCRIPTION
36	50020221	4	Bushing
37	44040	4	Flatwasher, Belleville
38	20496	4	HHCS 1/2" x 5-1/2" Gr.5
39	9161600	4	Locknut 1/2"
40	44513	4	HHCS 1/2" x 2" Gr.5
41	98725	4	Limit Spacer
42	15829	8	Flatwasher 1/2"
43	15806	8	Lockwasher 1/2"
44	8151600	4	Hex Nut 1/2"
45	15519	2	Jam Nut 1/2"
46	44357	2	Setscrew 1/2" x 1-3/4"
47	50021149	4	Spring Bushing 1.0" ID x 1.5"
48	50020353	4	Spring Bushing 1.25" ID x 1.5"
49	50020350	4	Spring Bushing .75" ID x 1.75"
50	91091	1	Safety Tow Chain
	50024992	1	Toolbox Assembly (52-64)
51	50024991	1	Box Weldment
52	98298	1	Top Weldment
53		4	Pan Head Screw #10 x 1/2"
54	8150600	4	Hex Nut #10
55	16040600	4	Lockwasher #10
56	98284	1	Swell Latch
57	50024988	1	Bracket Weld., Upper Mtg.
58	20084	2	HHCS 3/8" x 3/4"
59	8151200	4	Hex Nut 3/8"
60	15812	6	Lockwasher 3/8"
61	44721	4	HHCS 3/8" x 3/4"
62	99459	1	Strap
63	50024989	1	Bracket, Lower Mtg.
64		1	Hair Pin
65	50026940	2	Decal, Float Information
66	50029494	1	Decal, Lube



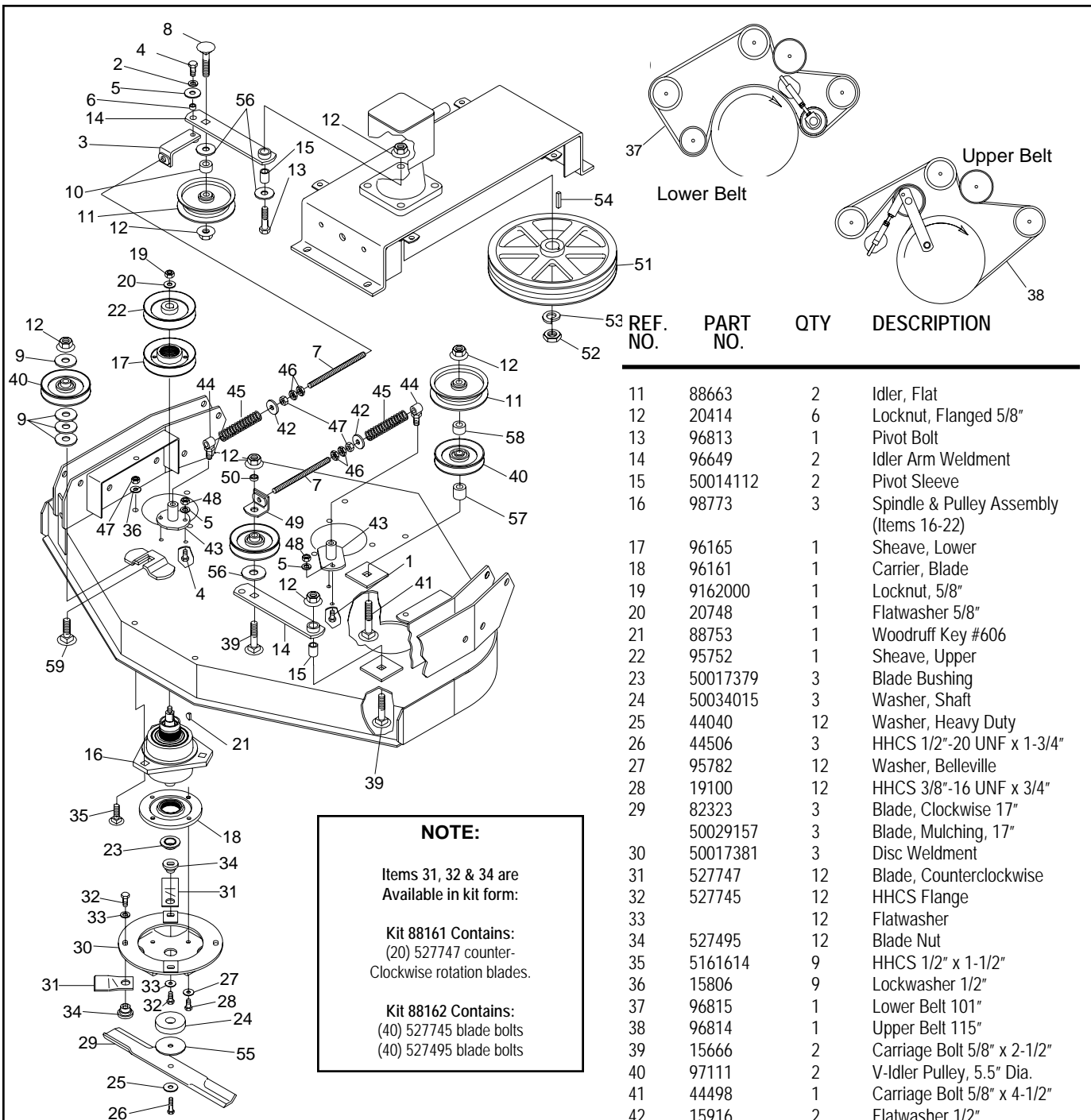
Rear Arm Assembly

REF. NO.	PART NO.	QTY	DESCRIPTION	REF. NO.	PART NO.	QTY	DESCRIPTION
1	50023270	1	Rear Arm Assembly (Includes swivel assembly & related fasteners, bushings)	18	8151600	2	Hex Nut 1/2"
2	50021320	1	Spindle & Hub Assy.	19	44153	2	HHCS 1/2" x 2" Gr.8
3	15554	2	Locknut 1/2"	20	98725	2	Limit Spacer
4	20864	2	HHCS 1/2" x 3" Gr.5	21	15906	2	Flatwasher 1/2"
5	15093	4	HHCS 1/2" x 1-1/2" Gr.5	22	94360	1	SMV Sign Bracket
6	15804	4	Lockwasher 1/2"	23	94359	1	SMV Placard
7	15508	4	Hex Nut 1/2"	24	1160806	2	HHCS 1/4" x 3/4"
8	20496	1	HHCS 1/2" x 5-1/2"	25	15905	2	Lockwasher 1/4"
9	50020217	1	Bushing	26	15531	2	Hex Nut 1/4"
10	9161600	4	Locknut 1/2"	27	20034	2	HHCS 3/8" x 1"
11	44040	4	Flatwasher, Belleville	28	15812	2	Lockwasher 3/8"
12	50021135	1	Cradle Weldment	29	8151200	2	Hex Nut 3/8"
13	50020221	2	Bushing	30	50028252	1	Swivel Assembly
14	20110	2	HHCS 1/2" x 2" Gr.8	31	50026940	1	Decal, Float Information
15	94281	2	Limit Spacer	32	50020219	1	Bushing
16	15916	6	Flatwasher 1/2"	33	20580	1	HHCS 1/2" x 6-1/2" Gr.5
17	15806	5	Lockwasher 1/2"	34	50020350	7	Spring Bushing (1.75" Long)
				35	50021050	2	Spring Bushing (1.25" Long)



Transport Latching Parts

REF. NO.	PART NO.	QTY	DESCRIPTION
1	94375	2	Spring
2	50018541	1	Wing Lock Weldment, LH
	50018540	1	Wing Lock Weldment, RH
3	15675	2	Cotter Pin 5/32 x 1-1/2"
4	94331	1	Pin
5	50017303	1	Chain w/ Sleeve
6	84672	3	Wing Lock Pin
7	1273	3	Hair Pin
8	20881	1	HHCS 3/8" x 1-1/2"
9	8151200	7	Hex Nut 3/8"
10	15812	5	Lockwasher 3/8"
11	50018562	1	Handle Weldment
12	50024037	1	Hook
13	94862	2	Spring Snap
14	5121222	2	Carriage Bolt 3/8" x 2-1/4" Gr.5
15	50018623	2	Pin
16	44174	2	HHCS 3/8" x 1-3/4"
17	10151200	2	Jam Nut 3/8"
18	15915	1	Flatwasher 3/8"
19	1161212	2	HHCS 3/8" x 1-1/4"
20	94374	2	Pin



NOTE:

Items 31, 32 & 34 are Available in kit form:

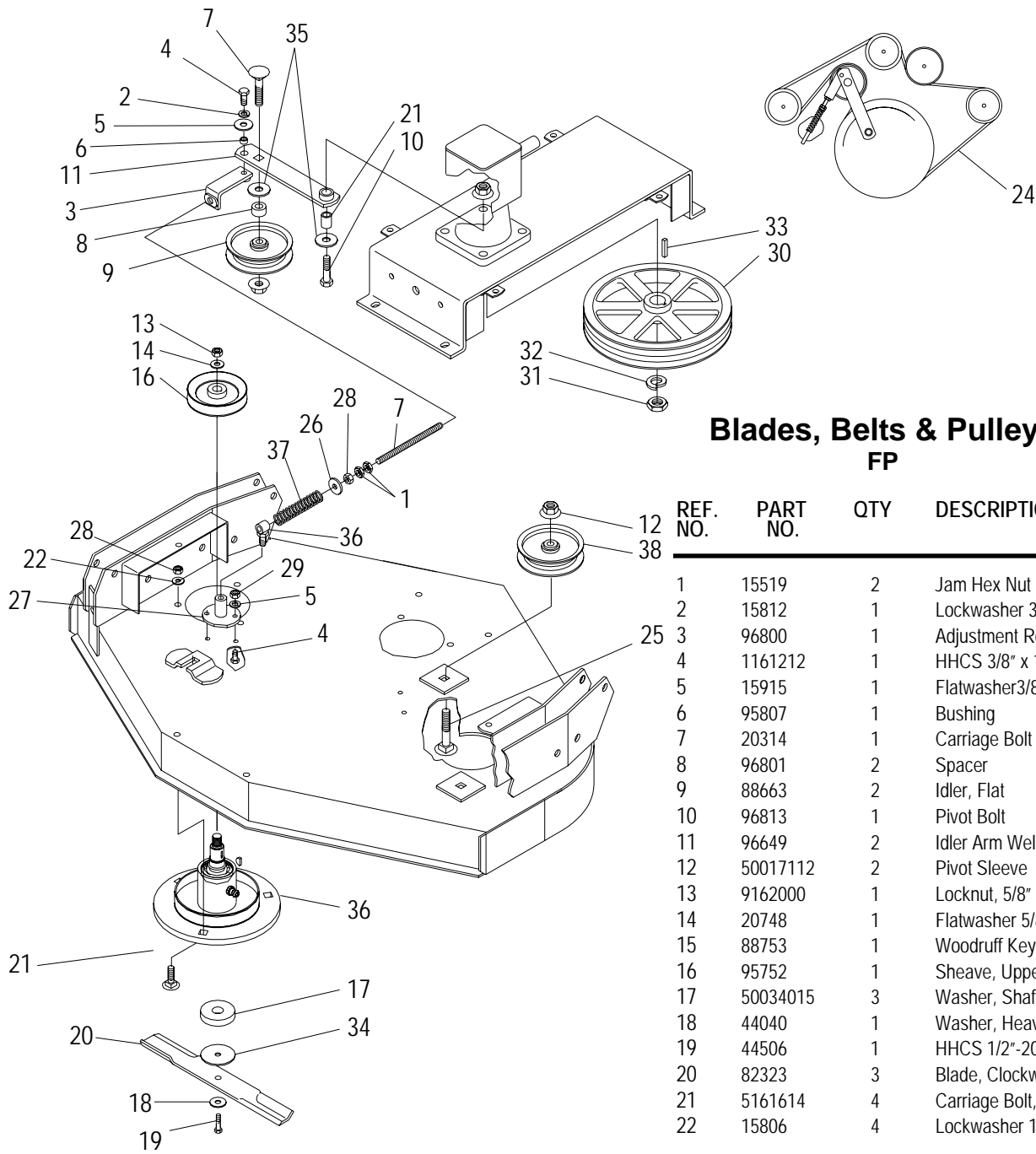
Kit 88161 Contains:
(20) 527747 counter-clockwise rotation blades.

Kit 88162 Contains:
(40) 527745 blade bolts
(40) 527495 blade bolts

**Blades, Belts & Pulleys
MP**

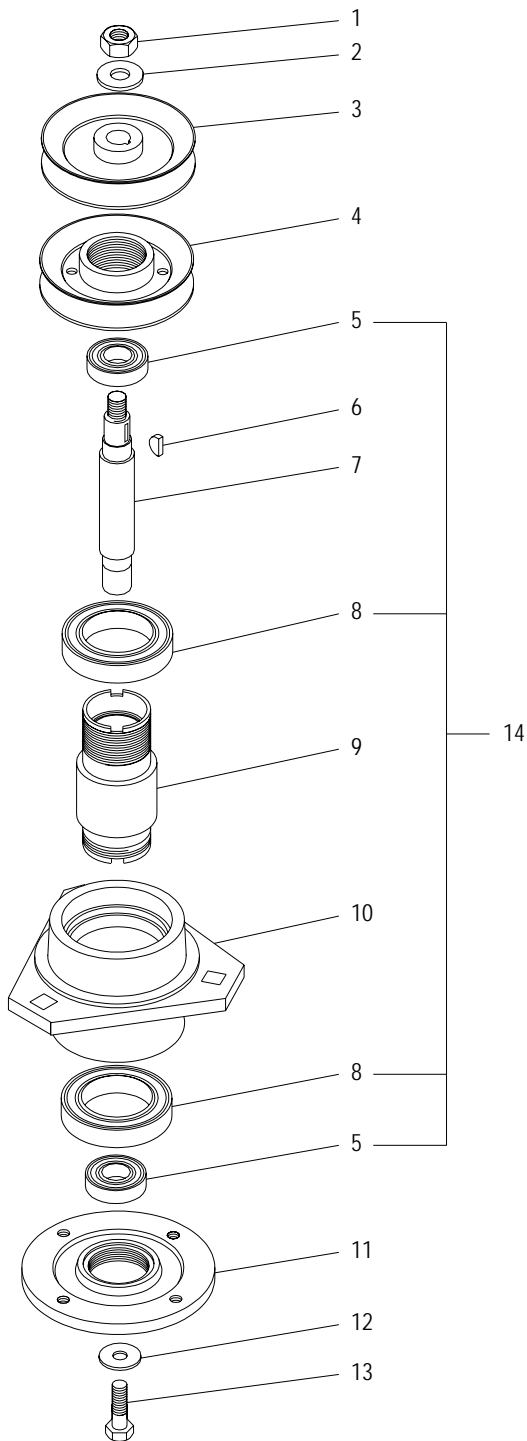
REF. NO.	PART NO.	QTY	DESCRIPTION
1	20034	4	HHCS 3/8" x 1"
2	15812	9	Lockwasher 3/8"
3	96800	1	Adjustment Rod Weldment
4	1161212	1	HHCS 3/8" x 1-1/4"
5	15915	1	Flatwasher 3/8"
6	95807	1	Bushing
7	96997	2	Threaded Rod
8	20314	1	Carriage Bolt 5/8" x 3"
9	6050133	4	Flatwasher 5/8" Special
10	96801	2	Spacer

REF. NO.	PART NO.	QTY	DESCRIPTION
11	88663	2	Idler, Flat
12	20414	6	Locknut, Flanged 5/8"
13	96813	1	Pivot Bolt
14	96649	2	Idler Arm Weldment
15	50014112	2	Pivot Sleeve
16	98773	3	Spindle & Pulley Assembly (Items 16-22)
17	96165	1	Sheave, Lower
18	96161	1	Carrier, Blade
19	9162000	1	Locknut, 5/8"
20	20748	1	Flatwasher 5/8"
21	88753	1	Woodruff Key #606
22	95752	1	Sheave, Upper
23	50017379	3	Blade Bushing
24	50034015	3	Washer, Shaft
25	44040	12	Washer, Heavy Duty
26	44506	3	HHCS 1/2"-20 UNF x 1-3/4"
27	95782	12	Washer, Belleville
28	19100	12	HHCS 3/8"-16 UNF x 3/4"
29	82323	3	Blade, Clockwise 17"
	50029157	3	Blade, Mulching, 17"
30	50017381	3	Disc Weldment
31	527747	12	Blade, Counterclockwise
32	527745	12	HHCS Flange
33		12	Flatwasher
34	527495	12	Blade Nut
35	5161614	9	HHCS 1/2" x 1-1/2"
36	15806	9	Lockwasher 1/2"
37	96815	1	Lower Belt 101"
38	96814	1	Upper Belt 115"
39	15666	2	Carriage Bolt 5/8" x 2-1/2"
40	97111	2	V-Idler Pulley, 5.5" Dia.
41	44498	1	Carriage Bolt 5/8" x 4-1/2"
42	15916	2	Flatwasher 1/2"
43	96816	2	Pivot Mount Weldment
44	95818	2	Pivot Weldment
45	95827	2	Spring
46	15519	4	Jam Hex Nut 1/2"
47	8151600	11	Hex Nut 1/2"
48	8151200	4	Hex Nut 3/8"
49	96996	1	Angle Pivot Weldment
50	95803	1	Bushing
51	94906	1	Sheave
52	70287	1	Nut M30 x 2
53	70286	1	Lockwasher M30
54	70288	1	Key, Square
55	97658	A/R	Spacer
56	20748	2	Flatwasher 5/8"
57	97920	1	Spacer (long)
58	97921	1	Spacer (short)
59	44226	1	Carriage Bolt 5/8" x 2"
60	97043	1	"V"-Idler Pulley, 4.7" Dia.



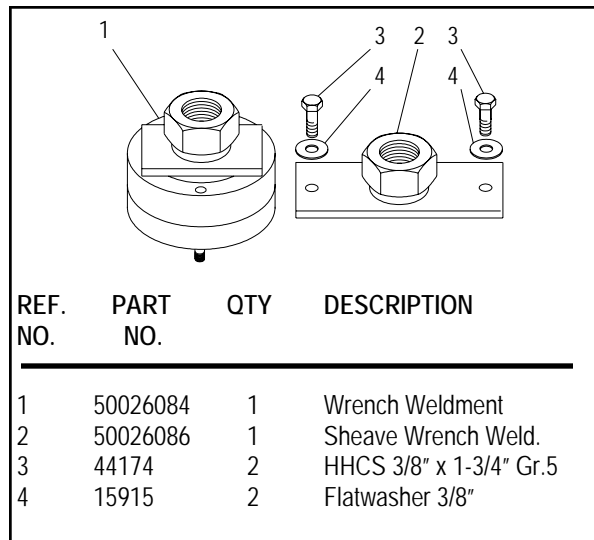
Blades, Belts & Pulleys FP

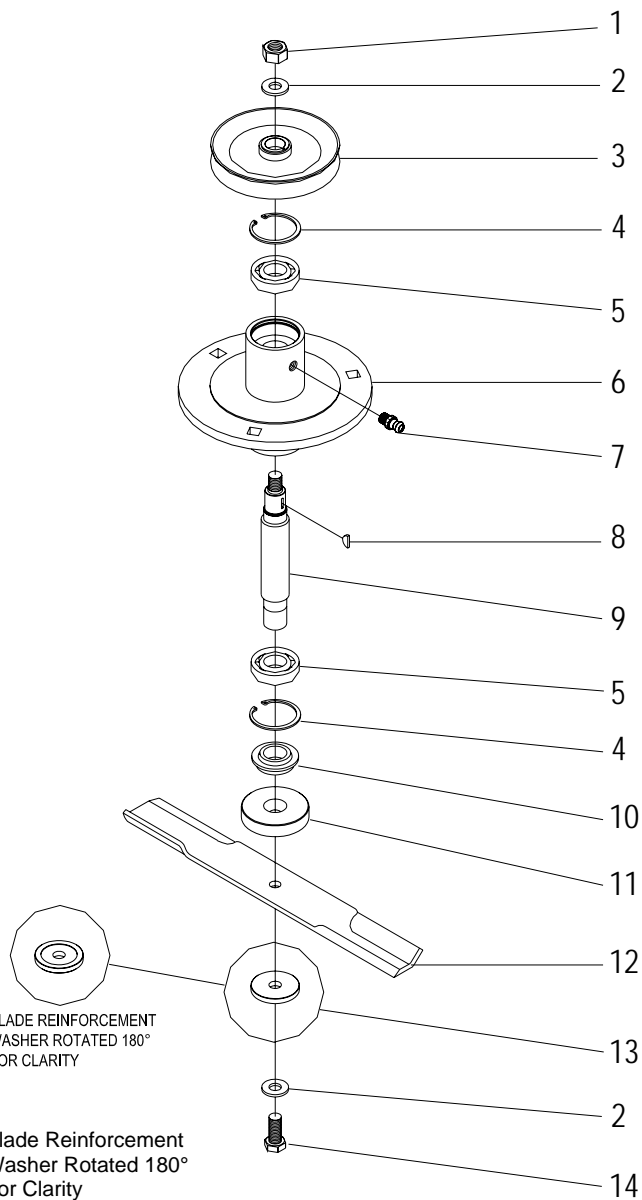
REF. NO.	PART NO.	QTY	DESCRIPTION
1	15519	2	Jam Hex Nut 1/2"
2	15812	1	Lockwasher 3/8"
3	96800	1	Adjustment Rod Weldment
4	1161212	1	HHCS 3/8" x 1-1/4"
5	15915	1	Flatwasher 3/8"
6	95807	1	Bushing
7	20314	1	Carriage Bolt 5/8" x 3"
8	96801	2	Spacer
9	88663	2	Idler, Flat
10	96813	1	Pivot Bolt
11	96649	2	Idler Arm Weldment
12	50017112	2	Pivot Sleeve
13	9162000	1	Locknut, 5/8"
14	20748	1	Flatwasher 5/8"
15	88753	1	Woodruff Key #606
16	95752	1	Sheave, Upper
17	50034015	3	Washer, Shaft
18	44040	1	Washer, Heavy Duty
19	44506	1	HHCS 1/2"-20 UNF x 1-3/4"
20	82323	3	Blade, Clockwise 17"
21	5161614	4	Carriage Bolt, 1/2" x 1-1/2"
22	15806	4	Lockwasher 1/2"
24	96814	1	Upper Belt 115"
25	44498	1	Carriage Bolt 5/8" x 4-1/2"
26	15916	2	Flatwasher 1/2"
27	96816	2	Pivot Mount Weldment
28	8151600	1	Hex Nut 1/2"
29	8151200	1	Hex Nut 3/8"
30	91906	1	Sheave
31	70287	1	Nut M30 x 2
32	70286	1	Lockwasher M30
33	70288	1	Key, Square
34	97658	A/R	Spacer
35	20748	2	Flatwasher 5/8"
36	98773	3	Spindle & Pulley Assembly See Page 10
36	95818	1	Pivot Weldment
37	95827	1	Spring
38	97111	1	V-Idler Pulley, 5.5" Dia



Blade Spindle MP

REF. NO.	PART NO.	QTY	DESCRIPTION
	98773	1	Replacement Spindle Assy. (Items 1-13)
1	9162000	1	Lock Nut 5/8"
2	20748	1	Flatwasher 5/8"
3	95752	1	Upper Sheave
4	96165	1	Lower Sheave
5	95764	2	Bearing, Inner Shaft
6	95757	1	Shaft, Inner
7	88753	1	Woodruff Key 606
8	94953	2	Bearing, Outer Shaft
9	96162	1	Shaft, Outer
10	92924	1	Hub, Machined
11	96161	1	Blade Carrier
12	44040	1	Washer, Heavy Duty
13	44506	1	HHCS 1/2"-20 UNF x 1-3/4"
14	50026133	1	Bearing Kit

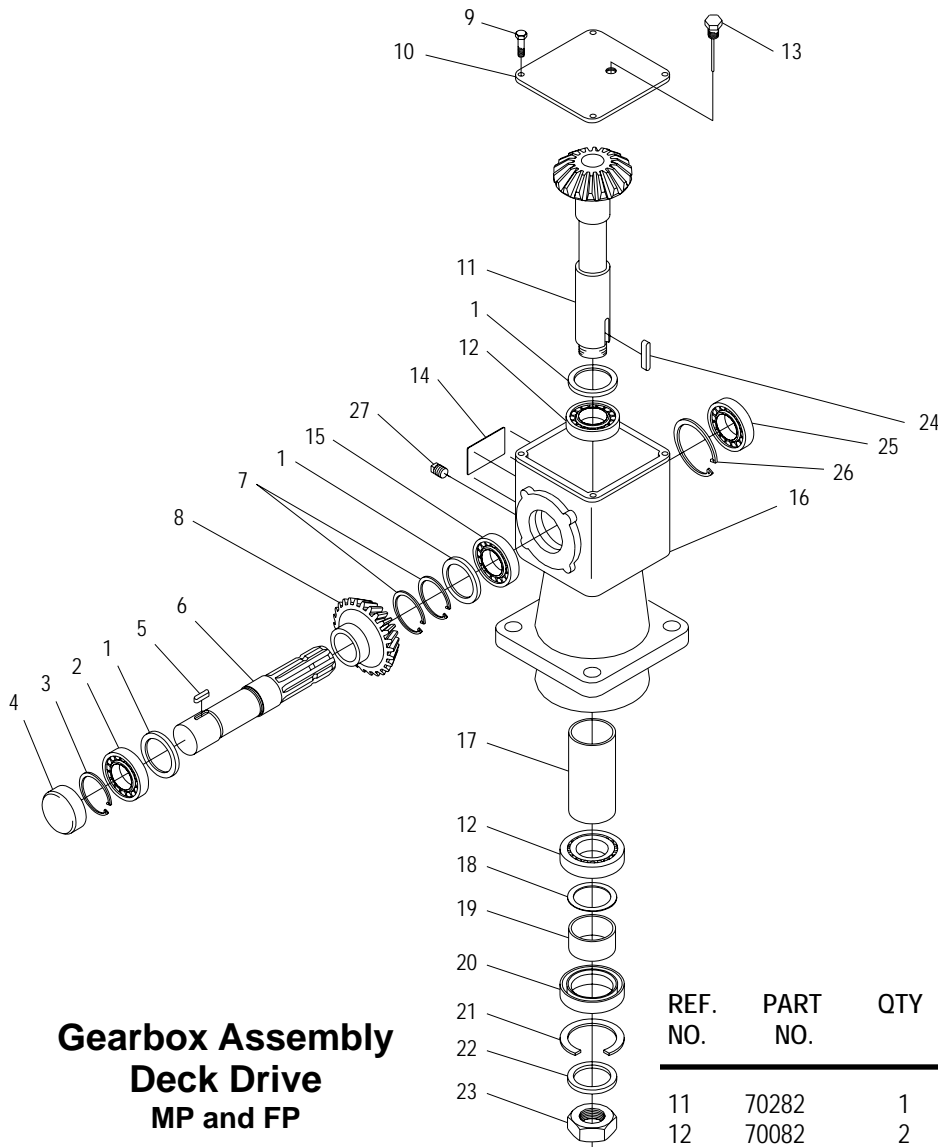




REF. NO.	PART NO.	QTY	DESCRIPTION
1	9162000	1	Lock Nut 5/8"
2	20748	2	Flatwasher 5/8"
3	95752	1	Upper Sheave
4	97685	2	Snap Ring
5	95764	2	Bearing, Inner Shaft
6	50100001	1	Machined Housing Weldment
7	449	1	Grease Fitting
8	20593	1	Woodruff Key
9	95757	1	Shaft, Inner
10	50100049	1	Blade Bushing
11	50034015	1	Washer, Heavy Duty
12	82323	1	Blade
13	50100045	1	Washer, Heavy Duty
14	44506	1	HHCS 1/2"-20 UNF x 1-3/4"

BLADE REINFORCEMENT
WASHER ROTATED 180°
FOR CLARITY

Blade Reinforcement
Washer Rotated 180°
For Clarity

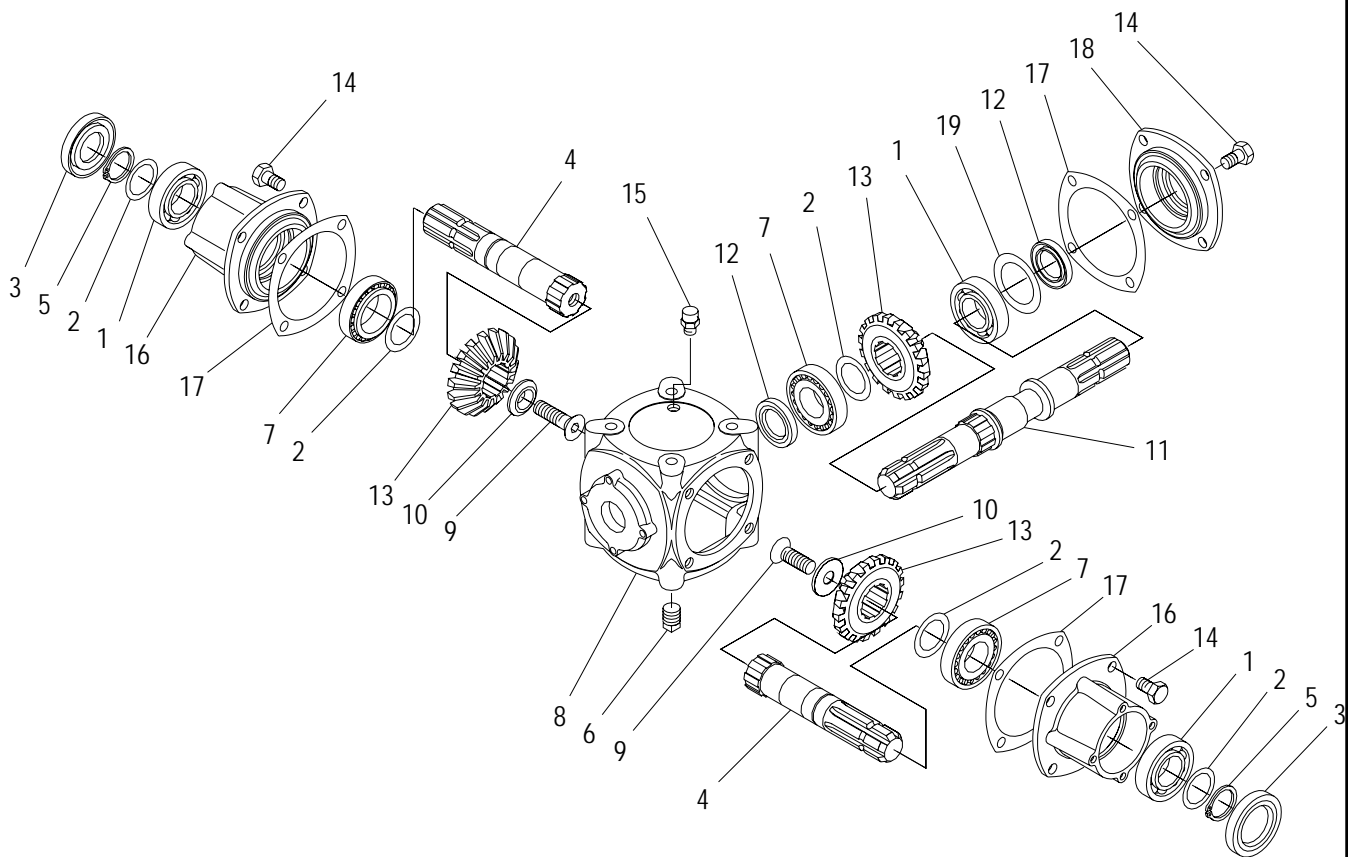


**Gearbox Assembly
Deck Drive
MP and FP**

REF. NO.	PART NO.	QTY	DESCRIPTION
1	70329	A/R	Shim .3mm
	70330	A/R	Shim .4mm
	70331	A/R	Shim .5mm
	70332	A/R	Shim 1.3mm
2	70107	1	Bearing
3	70133	1	Retaining Ring
4	70279	1	Cap
5	70226	1	Key M10 x 8 x 30
6	70281	1	Shaft
7	70110	2	Outside Retaining Ring
8	70094	1	Gear 26 Teeth
9	70326	4	HHCS M8 x 16
10	70092	1	Top Plate

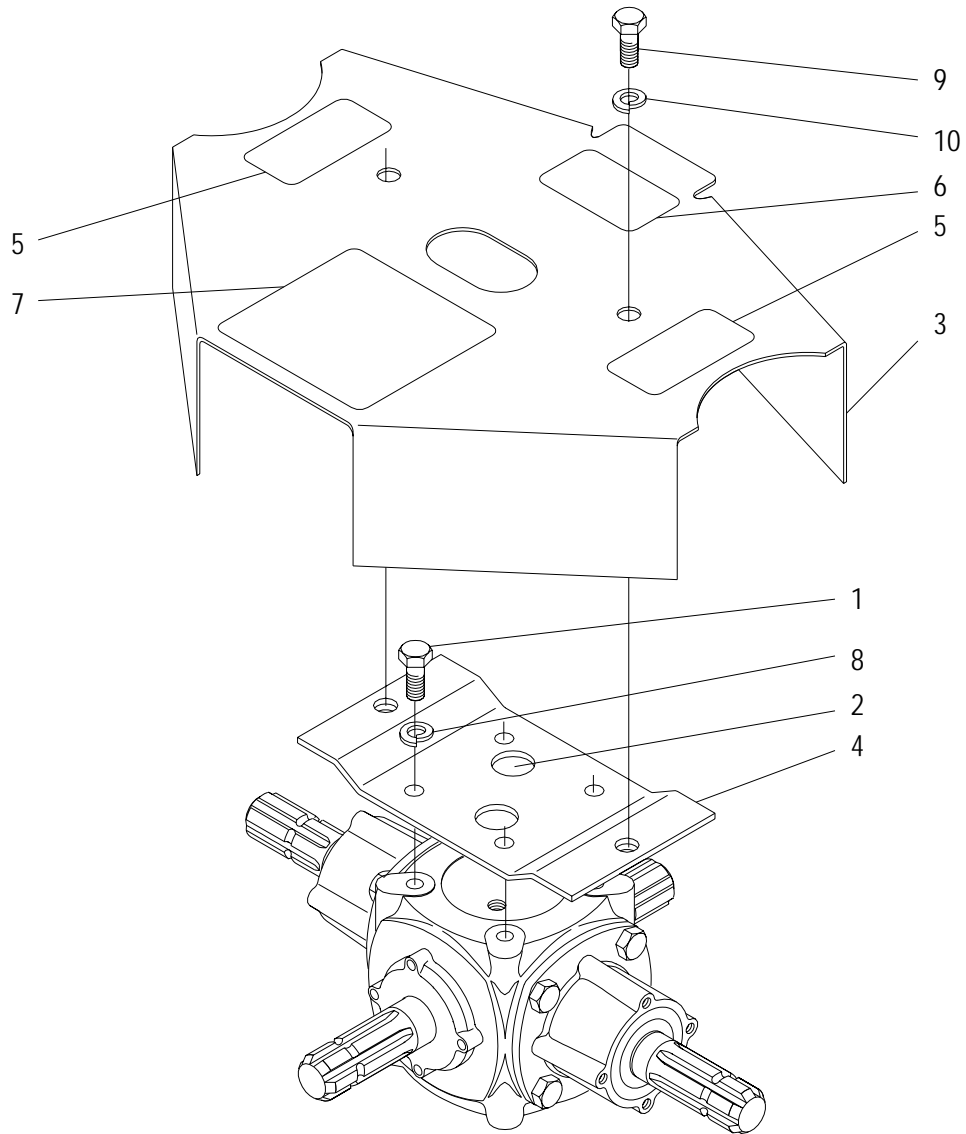
REF. NO.	PART NO.	QTY	DESCRIPTION
11	70282	1	Pinion 12 Teeth
12	70082	2	Bearing
13	70393	1	Vent Plug
14	N/A	1	Serial Number Plate
15	70129	1	Bearing
16	70283	1	Housing
17	70284	1	Spacer Ring
18	70081	1	Gasket
19	70285	1	Bushing
20	70080	1	Seal
21	70079	1	Shoulder Ring
22	70286	1	Spring Washer
23	70287	1	Hex Nut
24	70288	1	Key 6 x 6 x 30 mm
25	70290	1	Seal
26	70291	1	Retaining Ring
*27	70152	1	Gasket

* Silicone Sealer may be used in place of gasket.



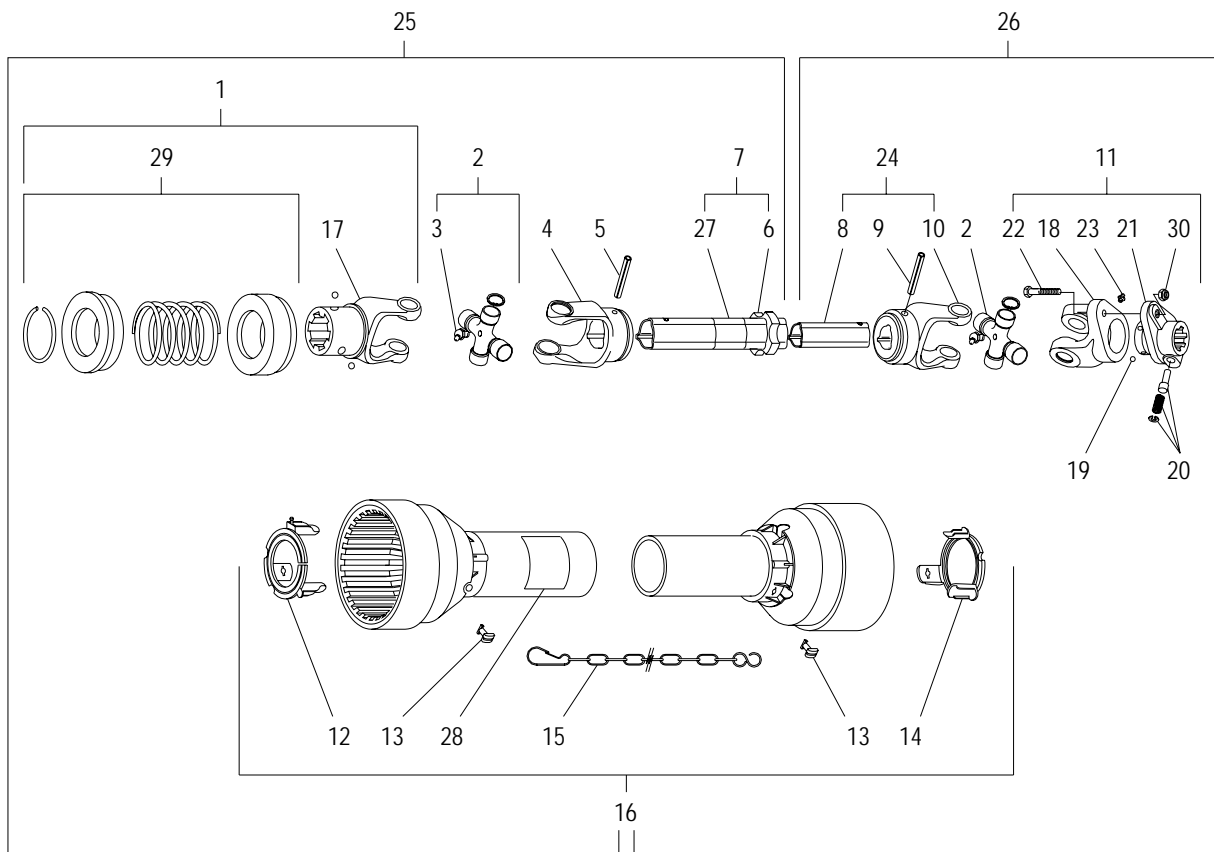
Divider Gearbox

REF. NO.	PART NO.	QTY	DESCRIPTION
1	70229	3	Bearing
2	F7502875	5	Shim
3	70108	2	Oil Seal 35 x 72 x 10
4	70921	2	Shaft
5	70110	2	Snap Ring
6	70292	1	Plug
7	70797	3	Taper Bearing Set
8	70922	1	Casing
9	70923	2	Screw, Hex Socket M12 x 40
10	70449	2	Blank Washer
11	70924	1	Shaft
12	70698	2	Oil Seal
13	70249	3	Gear 18 Tooth
14	70113	12	HHCS M12 x 25
15	80538	1	Plug, Breather
16	70132	2	Extension Housing
17	70261	3	Gasket
18	F7502730	1	Cover
19	F7502867	1	Shim



**Shielding, Center Transfer Gearbox
MP and FP**

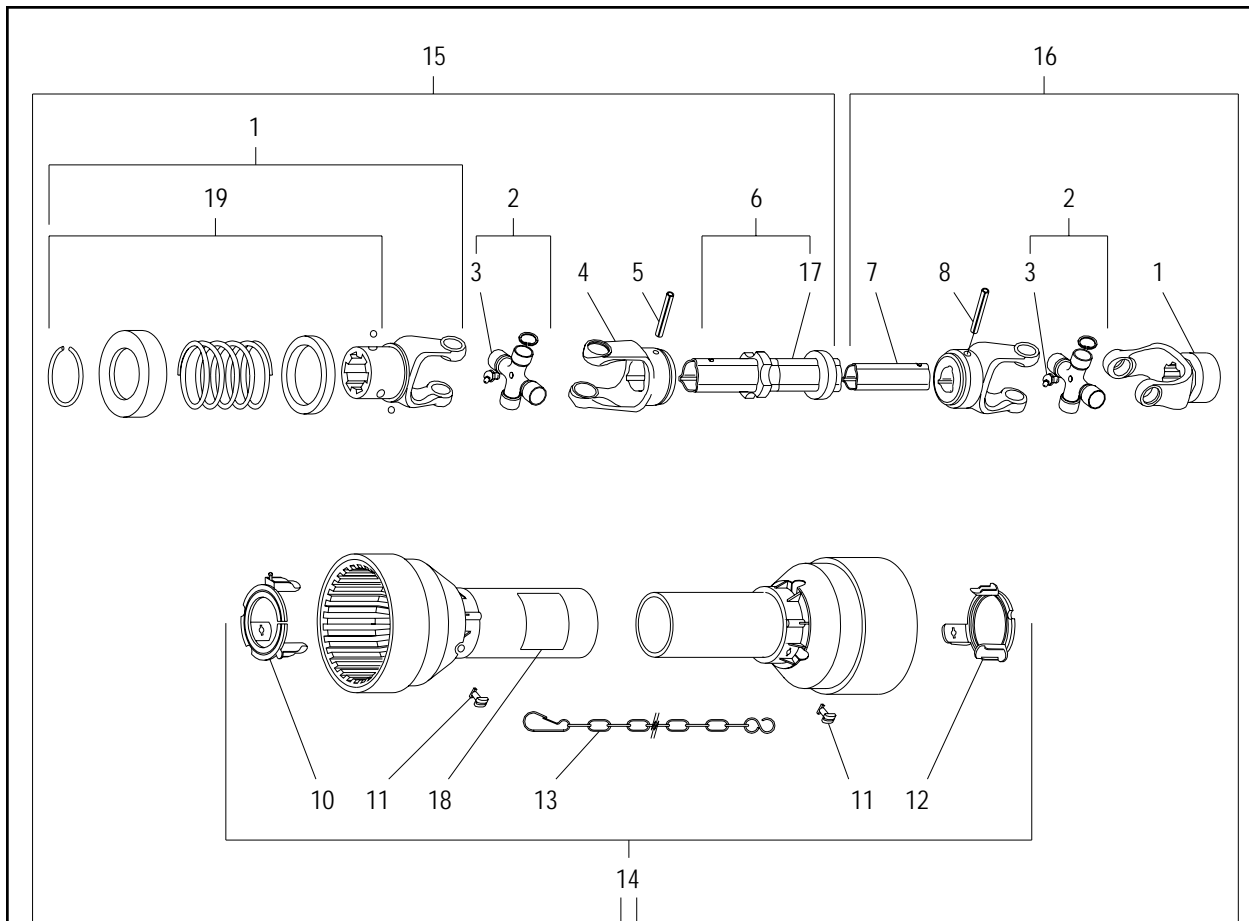
REF. NO.	PART NO.	QTY	DESCRIPTION
1	44394	4	HHCS M12 x 1.75 x 30
2	70925	1	Plug
3	50024786	1	Shield w/ Decals
4	50018614	1	Shield Mount Weldment
5	50012615	2	Decal, Warning
6	82617	1	Decal, Warning
7	82618	1	Decal, Warning
8	44200	4	Lockwasher, M12
9	20054	2	HHCS 1/2" x 1"
10	15806	2	Lockwasher 1/2"



76678 Driveshaft, Center

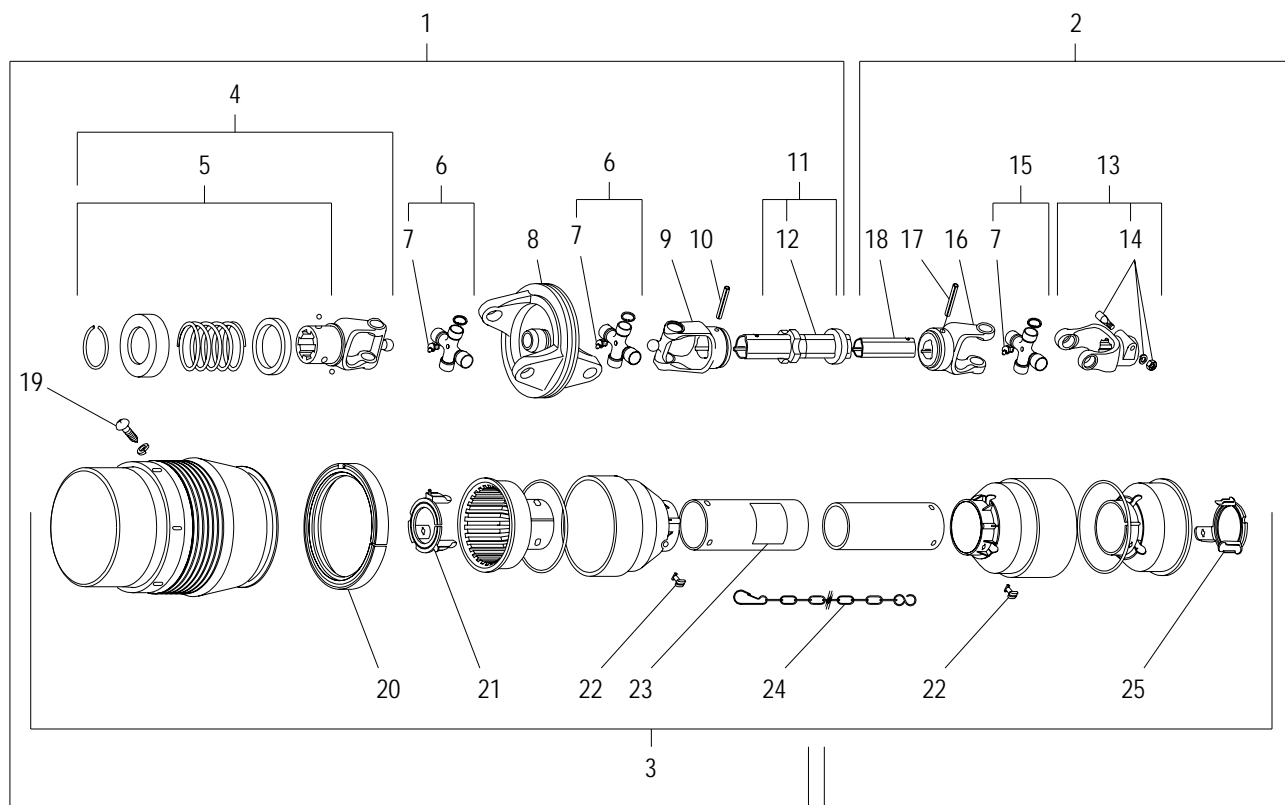
**540 RPM - 1-3/8"-6 Spline
Manufactured by Comer**

REF. NO.	PART NO.	QTY	DESCRIPTION	REF. NO.	PART NO.	QTY	DESCRIPTION
1	76801	1	Complete Collar Yoke	16	76849	1	Complete Shield
2	64610	2	Cross Journal Set	17	76282	3	Ball 1/2"
3	63956	2	Grease Nipple	18	76618	1	Yoke
4	66112	1	Outer Yoke	19	76202	23	Ball
5	66869	1	Roll Pin For Outer Tube	20	76062	1	Push Pin Set 1-3/8"
6	76072	1	Bushing with Grease Nipple	21	76619	1	Hub
7	76847	1	Complete Outer Tube	22	44525	6	HHCS M10 x 1.5 x 55
8	76848	1	Inner Tube	23	63946	1	Grease Fitting
9	66110	1	Roll Pin for Inner Tube	24	76850	1	Male Tube Yoke w/ Roll Pin
10	66109	1	Inner Yoke	25	76851	1	Half Female Shaft w/ Shield
11	76616	1	Complete Shear Bolt	26	76852	1	Half Male Shaft w/ Shield
12	87995	1	Collar for Outer Tube	27	76786	1	Decal, Danger, Outer Tube
13	87992	6	Bolt	28	78608	1	Decal, Danger, Outer Shield Tube
14	87993	1	Collar for Inner Tube	29	50017480	1	Ball Collar Kit 1-3/8"
15	64814	2	Safety Chain	30	44342	1	Hex Nut M10



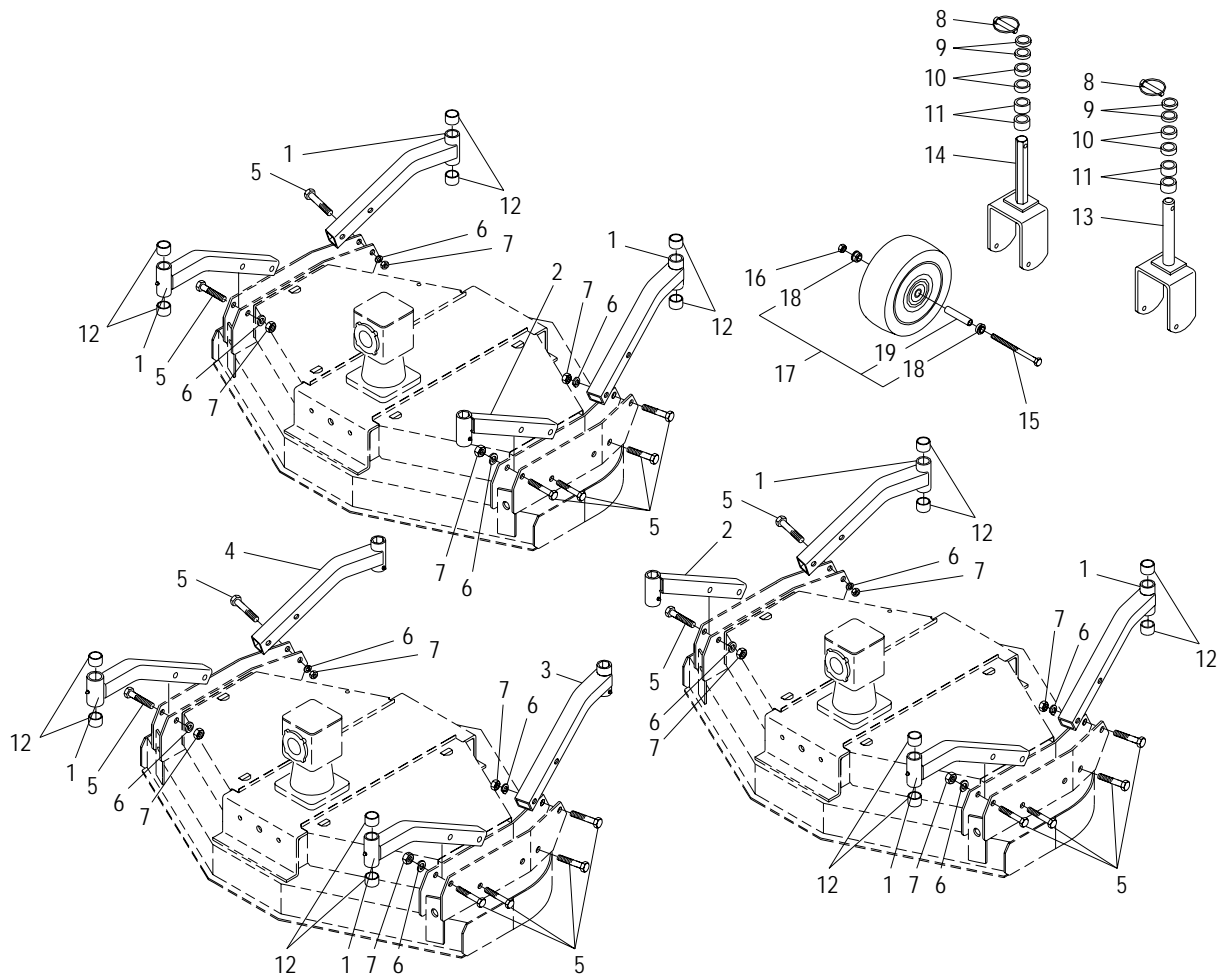
76644 Driveshaft, Wing
Manufactured by Comer

REF. NO.	PART NO.	QTY	DESCRIPTION
1	76711	2	Complete Collar Yoke
2	64694	2	Cross Journal Set
3	63956	2	Grease Nipple
4	78571	1	Outer Yoke
5	78577	1	Roll Pin for Outer Tube
6	76712	2	Complete Outer Tube
7	76713	1	Inner Tube
8	78578	1	Roll Pin for Outertube
9	78570	1	Inner Yoke
10	76192	1	Guard Retaining Collar, Outer
11	87992	6	Bolt
12	76191	1	Guard Retaining Collar, Inner
13	64814	2	Safety Chain
14	76714	1	Complete Shield
15	76715	1	Half Female Shaft w/ Shield
16	76716	1	Half Male Shaft w/ Shield
17	78786	1	Danger Decal, Outer Tube
18	78608	1	Danger Decal, Outer Shield
19	50017480	1	Ball Collar Kit 1-3/8"



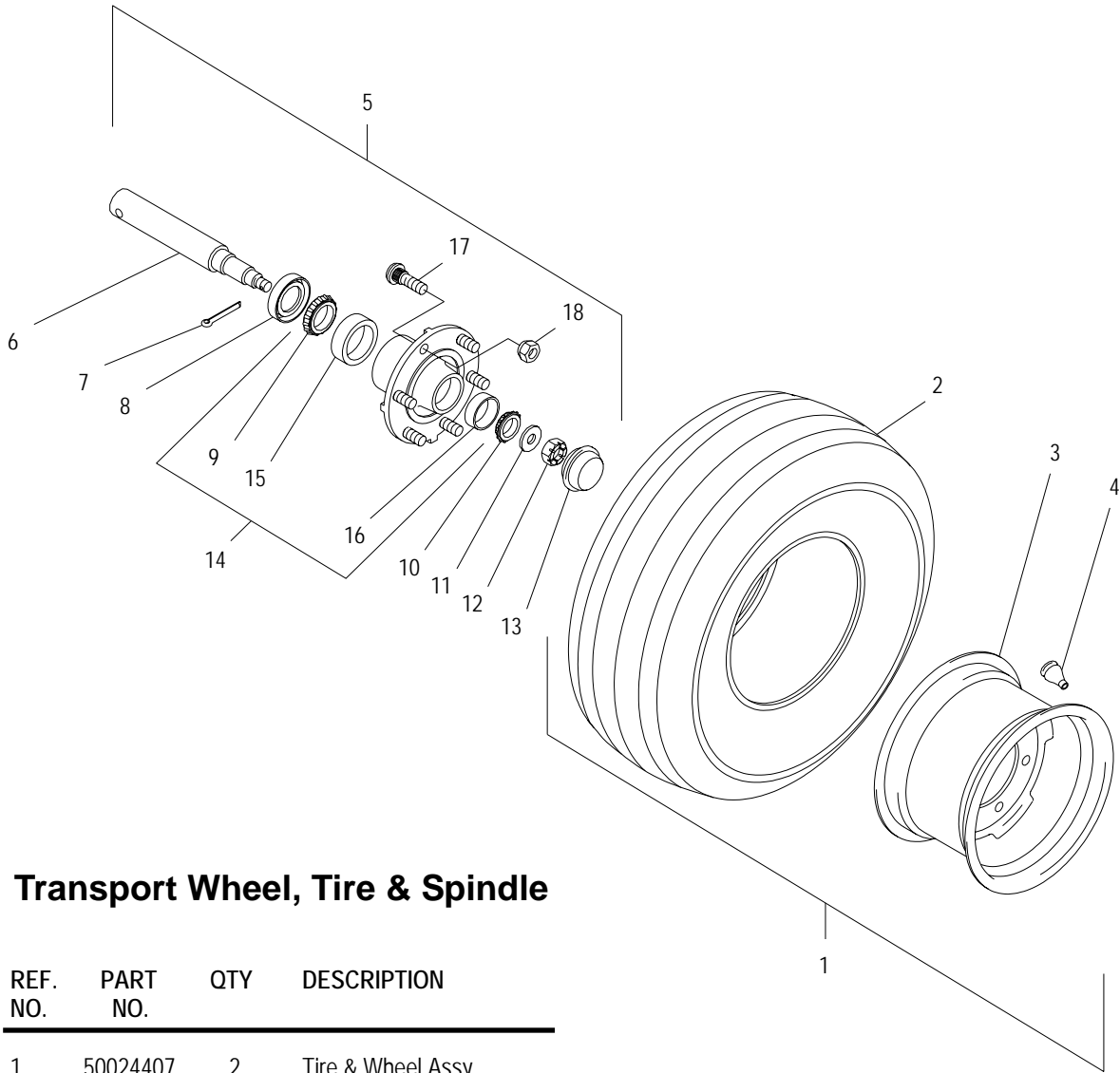
93063 C.V. Driveshaft (Input)
540 RPM
Manufactured by EG

REF. NO.	PART NO.	QTY	DESCRIPTION	REF. NO.	PART NO.	QTY	DESCRIPTION
1	76521	1	Tractor Half Assy.	14	76064	1	Taper Pin Kit
2	76522	1	Implement Half Assy.	15	64663	1	Cross Bearing Kit
3	76514	1	Complete Shield Assy.	16	66870	1	Inner Yoke
4	50017505	1	Yoke Assy. w/ Collar	17	66869	1	Roll Pin
5	50017480	1	Collar Kit	18	76475	1	Inner Tube
6	76420	2	Cross Bearing Kit	19	76362	6	Screw
7	63956	3	Grease Fitting	20	76423	1	Bearing Ring
8	76421	1	Double Yoke Assy.	21	76057	1	Outer Bearing
9	76471	1	Outer Yoke	22	87992	6	Shield Bolt
10	66866	1	Roll Pin	23	78608	1	Danger Decal
11	76474	1	Outer Tube Assy.	24	64814	3	Safety Chain
12	78786	1	Decal, Danger Outer	25	76059	1	Inner Bearing
13	76056	1	Yoke, & Pin Assy.				



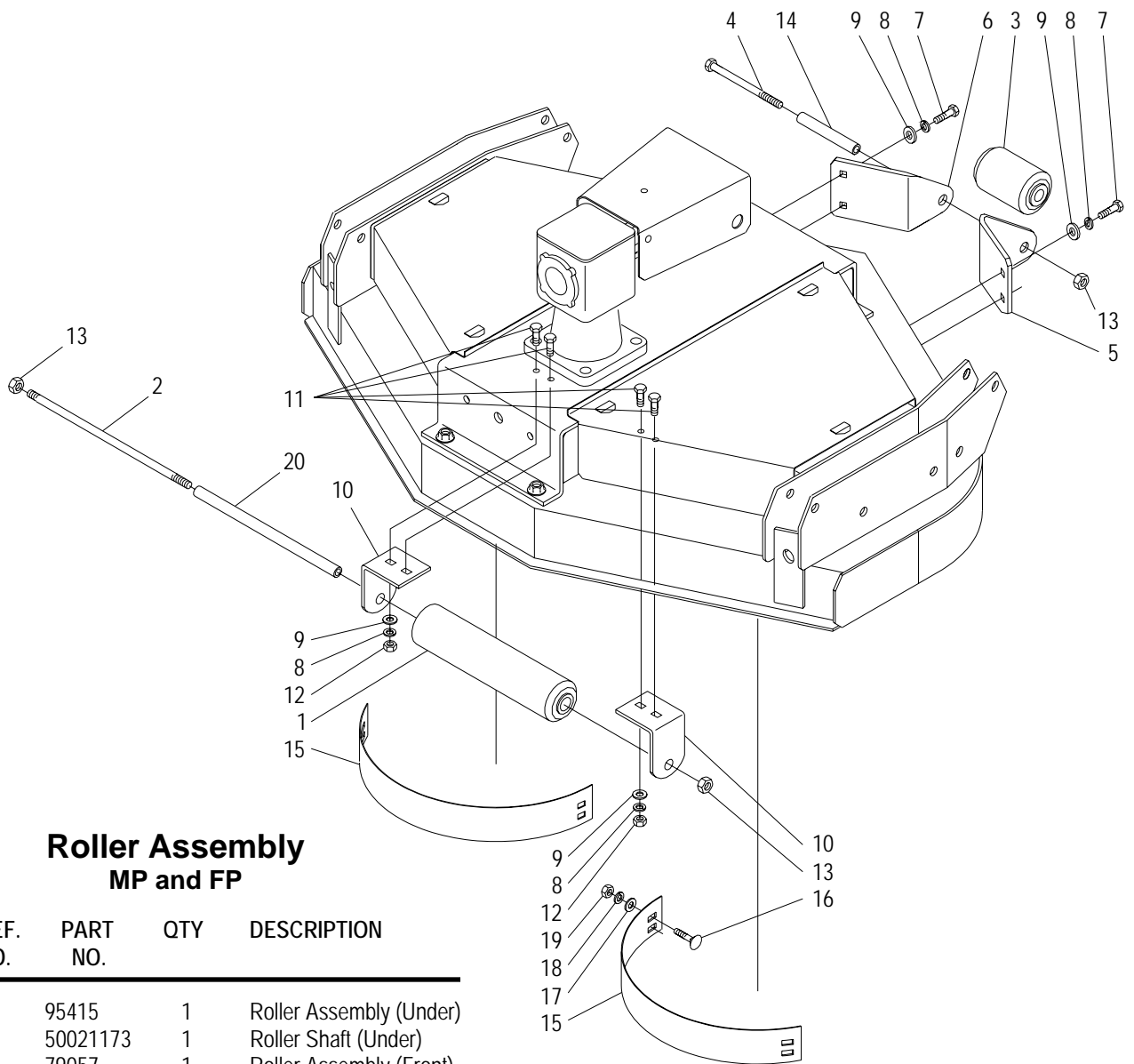
Caster Arm & Wheel Assemblies MP and FP

REF. NO.	PART NO.	QTY	DESCRIPTION	REF. NO.	PART NO.	QTY	DESCRIPTION
1	50021071	8	Arm Weldment (Round Hole, Curved)	12	50021066	16	Bushing Bronze
2	98293	2	Arm Weldment (Hex Hole, Straight)			8	Fork & Tire Assy. (Round Shaft)
3	50023311	1	Arm Weldment, RH (Hex Hole, Curved)			4	Fork & Tire Assy. (Hex Shaft)
4	50023312	1	Arm Weldment, LH (Hex Hole, Curved)	13	50020433	1	Caster Weldment (Round Shaft)
5	44107	24	HHCS 5/8" x 3-1/2"	14	50020434	1	Extended Caster Weldment (Round Shaft)
6	19486	24	Lockwasher 5/8"	15	50024401	1	Caster Weldment (Hex Shaft)
7	15563	24	Hex Nut 5/8"			1	Extended Caster Weldment (Hex Shaft)
8	50017304	12	Lynch Pin	16	20776	1	HHCS 1/2" x 6"
9	99292	24	Spacer 1/4", Round/ Hex Hole	17	15554	1	Locknut 1/2"
10	99291	24	Spacer 1/2", Round/ Hex Hole	18	97948	1	Tire Assembly (410/350 x 4 Pnuematic Tire)
11	99290	24	Spacer 1", Round/ Hex Hole	19	98342	2	Bearing
				19	50021519	1	Spacer, Wheel



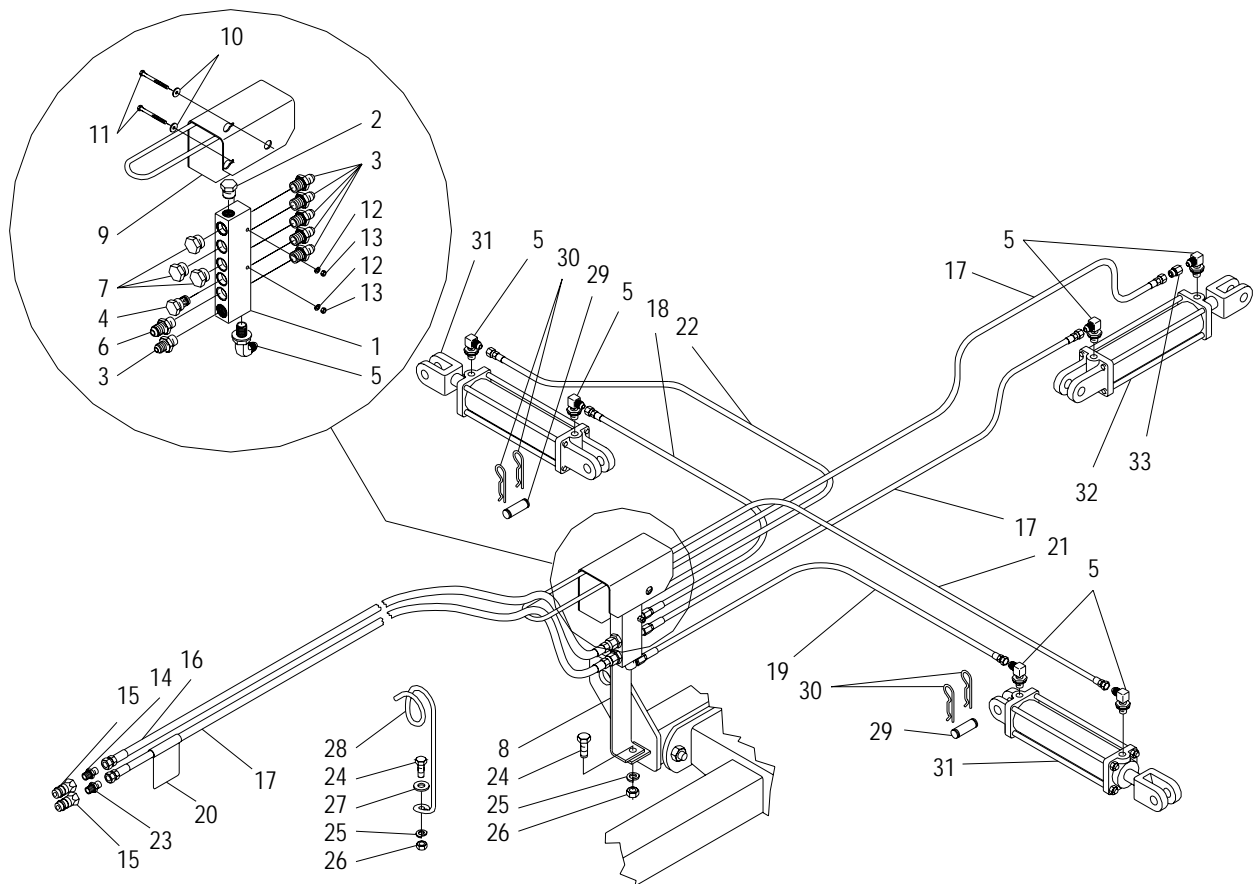
Transport Wheel, Tire & Spindle

REF. NO.	PART NO.	QTY	DESCRIPTION
1	50024407	2	Tire & Wheel Assy.
2	50024406	1	Tire
3	94378	1	Wheel
4	50001181	1	Valve Stem
5	50021320	2	Spindle & Hub Assy.
6	50021317	1	Spindle
7	15675	1	Cotter Pin, 5/32" x 1-1/2"
8	50021318	1	Rear Seal
9	50000115	1	Bearing Cone (Inner)
10	50076	1	Bearing Cone (Outer)
11	20571	1	Flatwasher 7/8"
12	20429	1	Castle Nut 7/8"
13	3750021	1	Hub Cap
14	50021319	1	Hub w/ Cups & Bolts
15	50000113	1	Inner Bearing Cup
16	14-6-197	1	Outer Bearing Cup
17	20775	6	Lug Bolt 1/2" x 1-7/8"
18	15515	6	Lug Nut 1/2" x 20 UNF



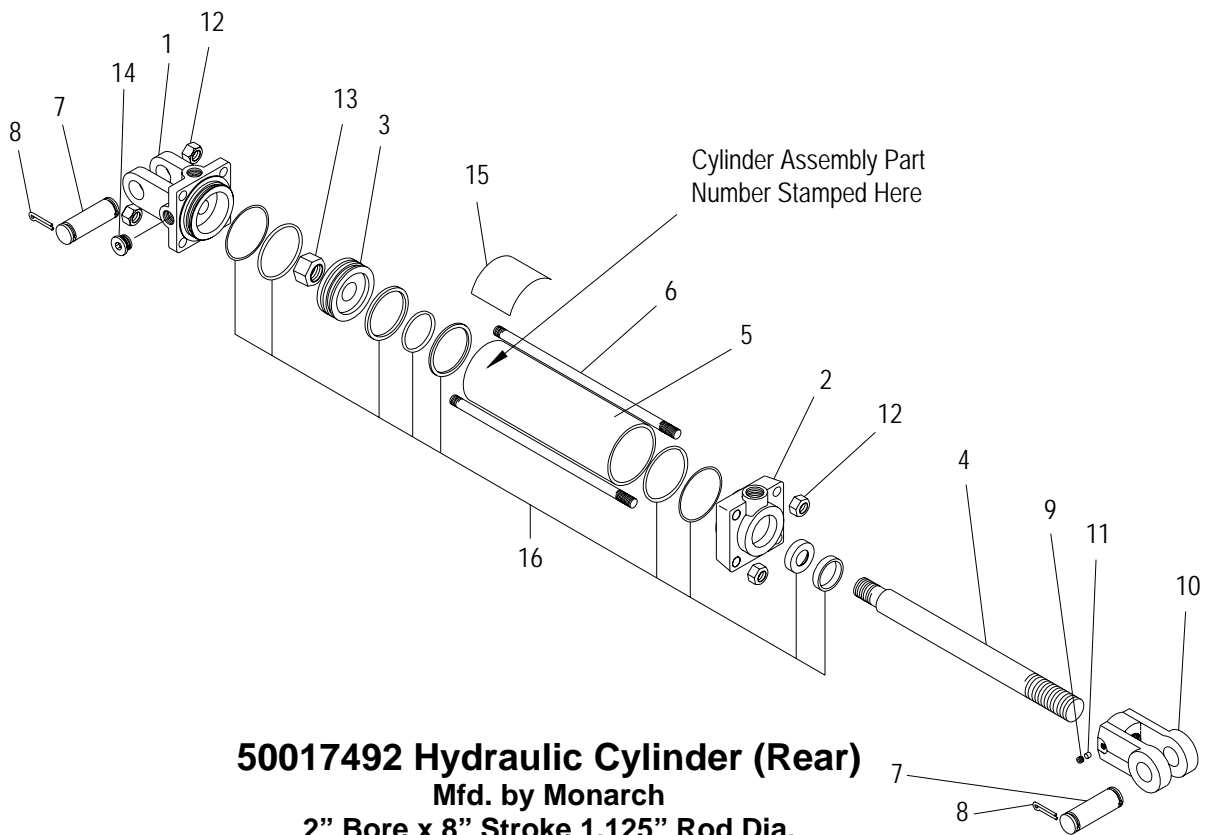
Roller Assembly MP and FP

REF. NO.	PART NO.	QTY	DESCRIPTION
1	95415	1	Roller Assembly (Under)
2	50021173	1	Roller Shaft (Under)
3	79057	1	Roller Assembly (Front)
4	20580	1	HHCS 1/2" x 6-1/2"
5	50021168	1	Right Hand Roller Mount
6	50021169	1	Left Hand Roller Mount
7	20034	4	HHCS 3/8" x 1"
8	15812	8	Lockwasher 3/8"
9	15830	8	Flatwasher 3/8"
10	50021171	2	Roller Bracket
11	1161212	4	HHCS 3/8" x 1-1/4"
12	8151200	4	Hex Nut 3/8"
13	9161600	2	Locknut 1/2"
14	50021170	1	Sleeve
15	50020073	2	Baffle
16	44109	8	Carriage Bolt 3/8" x 1"
17	15830	8	Flatwasher 3/8"
18	15812	8	Lockwasher 3/8"
19	8151200	8	Hex Nut 3/8"
20	50021172	1	Sleeve



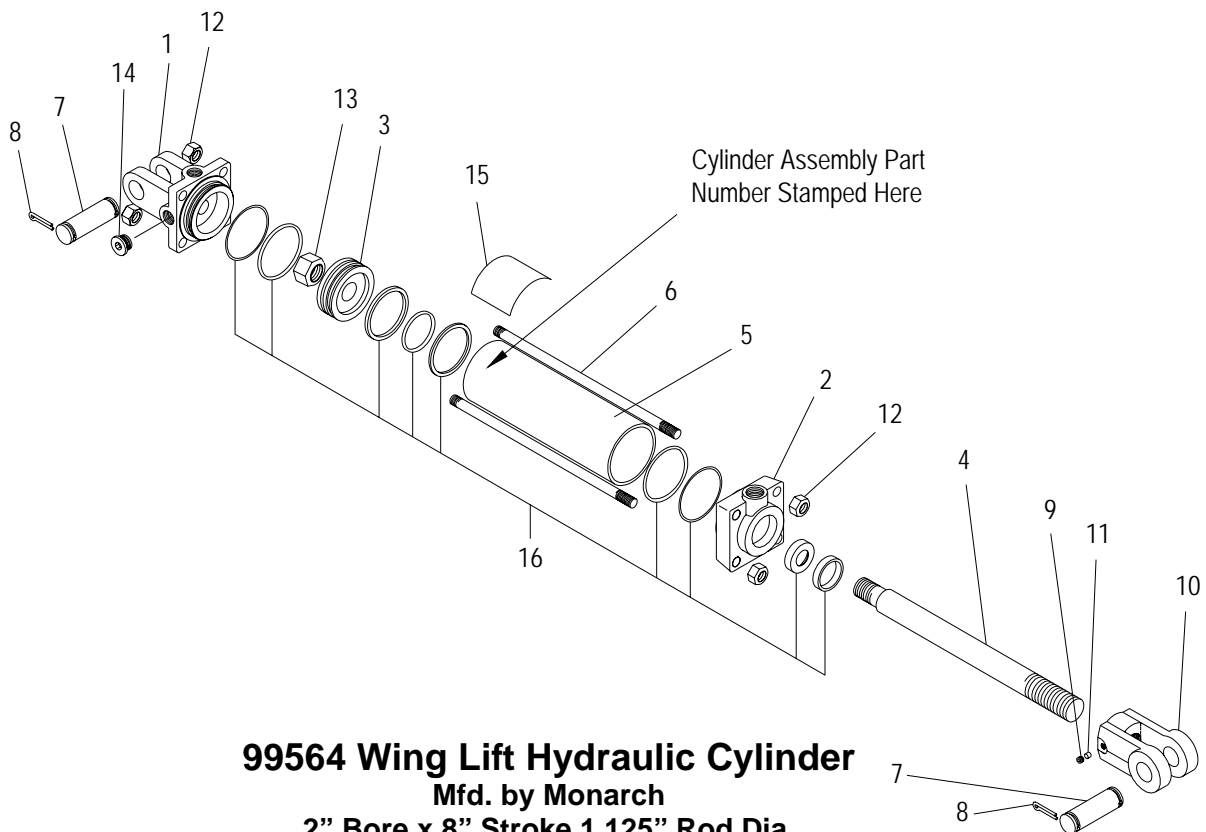
Hydraulic Assembly MP and FP

REF. NO.	PART NO.	QTY	DESCRIPTION	REF. NO.	PART NO.	QTY	DESCRIPTION
1	50017830	1	Valve Body	17	53329	3	Hydraulic Hose 72"
2	25H42303	1	O-Ring Plug	18	25H41710	1	Hydraulic Hose 21"
3	53340	6	Straight Thread Adaptor	19	25H46123	1	Hydraulic Hose 37"
4	50017834	1	Check Valve	20	94878	1	Safety Tag
5	14-40-98	7	Elbow 90°	21	62430	1	Hydraulic Hose 48"
6	53341	1	Straight Thread Adaptor	22	25H41146	1	Hydraulic Hose 31"
7	62006	3	Plug Assembly	23	24-6-434	1	Straight Adaptor
8	97666	1	Bracket, Valve	24	20947	2	HHCS 5/8" x 2"
9	50017007	1	Shield Weldment	25	19486	2	Lockwasher 5/8"
10	15918	2	Flatwasher 1/4"	26	15509	2	Hex Nut 5/8"
11		2	HHCS 1/4" x 2-3/4"	27	15925	1	Flatwasher 5/8"
12	15905	2	Lockwasher 1/4"	28	12031	1	Hose Holder
13	15531	2	Hex Nut 1/4"	29	95425	2	Clevis Pin
14	25D25683	1	Adaptor	30	63633	4	Hair Pin
15	25H43870	2	Coupler	31	99564	2	Hydraulic Cylinder, Wing
16	61469	1	Hydraulic Hose 72"	32	50017492	1	Hydraulic Cylinder, Rear
				33	50015044	1	Restrictor Union 9/16"-18 JIC M/F



50017492 Hydraulic Cylinder (Rear)
Mfd. by Monarch
2" Bore x 8" Stroke 1.125" Rod Dia.
3/4"-16 ORB Ports

REF. NO.	PART NO.	QTY	DESCRIPTION
1	95458	1	Clevis Cap
2	92457	1	Rod Cap
3	95460	1	Piston
4	95459	1	Rod 1.125" Dia.
5	95454	1	Cylinder Tube
6	95455	4	Tie Rod
7	95425	2	Pin 1" Dia.
8	21020614	4	Cotter Pin 3/16" x 1-1/2"
9	95433	1	Thread Lock
10	95456	1	Rod Clevis 1.125" x 1"
11	95422	1	Set Screw 3/8" x 1/2" Knurled
12	8151200	8	Hex Nut 3/8"
13	95452	1	Hex Nut 3/4" UNF
14	95435	1	Plug 3/4"
15	95423	1	Caution Decal
16	50017620	1	Seal Kit



99564 Wing Lift Hydraulic Cylinder
Mfd. by Monarch
2" Bore x 8" Stroke 1.125" Rod Dia.
3/4"-16 ORB Ports

REF. NO.	PART NO.	QTY	DESCRIPTION
1	95458	1	Clevis Cap
2	92457	1	Rod Cap
3	95460	1	Piston
4	95459	1	Rod 1.125" Dia.
5	95454	1	Cylinder Tube
6	95455	4	Tie Rod
7	95425	2	Pin 1" Dia.
8	21020614	4	Cotter Pin 3/16" x 1-1/2"
9	95433	1	Thread Lock
10	95456	1	Rod Clevis 1.125" x 1"
11	95422	1	Set Screw 3/8" x 1/2" Knurled
12	8151200	8	Hex Nut 3/8"
13	95452	1	Hex Nut 3/4" UNF
14	95435	1	Plug 3/4"
15	95423	1	Caution Decal
16	50017620	1	Seal Kit

NOTES:



Locke Turf

307 Highway 52E, Opp, Alabama 36467, (334) 493-1300